

CAST IRON ABOVE GRADE FLASHING DRAIN

863 series

SPECIFICATION

Sioux Chief 863 Series cast iron above grade flashing drain shall be used where necessary in drainage systems. Drain shall have an invertible flashing collar and cast iron push-joint connection. Strainer shall meet applicable load requirements for intended use. Trap primer port shall be threaded 1/2" FIP for optional connection.

MATERIALS

ring/strainer: nickel-bronze, 304 stainless steel, cast iron
top housing: ABS or ductile iron
flashing collar: ABS or ductile iron
adapter body: cast iron

STRAINER LOAD RATING

nickel-bronze: 1,000 lbs. (light duty, pedestrian traffic - heel-proof)
stainless steel: 2,000 lbs. (light duty, pedestrian traffic - heel-proof)
cast iron: 7,500 lbs. (heavy duty)

STRAINER FREE AREA

round nickel/stainless: 11.75 in²
square nickel/stainless: 16.4 in²
cast iron: 9.58 in²

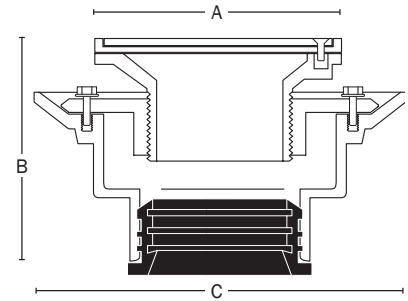
DIMENSIONS

	<i>nickel/stainless</i>	<i>cast iron</i>
A: ring/strainer diameter	6 1/2" or 7"	6 5/8"
B: adjustable height	5 1/8" - 6 1/8"	5 3/4" - 7 3/4"
C: flange diameter	8 1/2"	
trap primer port	1/2" FIP thread, plugged	

Item # Submitted _____
Job Name _____
Location _____
Engineer _____
Contractor _____
PO# _____ TAG _____



863-62NR



Create Item Number

863-ABC

e.g. 863-63NQYD = Flashing drain with 3" push-joint connection, square nickel-bronze ring and strainer, ductile iron top housing and flashing collar

- A CONNECTION SIZE**
- 62 2" cast iron push-joint
 - 63 3" cast iron push-joint
 - 64 4" cast iron push-joint
- B RING & STRAINER**
- i round cast iron
 - NR round nickel-bronze
 - NQ square nickel-bronze
 - SR round stainless steel
 - SQ square stainless steel

- C OPTIONS (FACTORY INSTALLED)**
- Y ductile iron top housing ¹
 - D ductile iron flashing collar ¹
 - V vandal-resistant strainer screws
 - H hinged strainer ²
 - E extended rim ³
 - B complies with Buy American Act ³
- 1 In lieu of ABS
 2 Not available with cast iron strainers
 3 Available for round nickel-bronze strainers only

- ACCESSORIES**
- 863-FA round aluminum condensate funnel
 - 863-FN round nickel condensate funnel
 - 863-FNO oval nickel condensate funnel
 - 842-UM stainless steel debris screen