

# CAST IRON ABOVE GRADE FLASHING DRAIN

863 series

## SPECIFICATION

Sioux Chief 863 Series cast iron above grade flashing drain shall be used where necessary in drainage systems. Drain shall have an invertible flashing collar and cast iron no-hub connection. Strainer shall meet applicable load requirements for intended use. Trap primer port shall be threaded 1/2" FIP for optional connection.

## MATERIALS

*ring/strainer:* nickel-bronze, 304 stainless steel, cast iron  
*top housing:* ABS or ductile iron  
*flashing collar:* ABS or ductile iron  
*adapter body:* cast iron

## STRAINER LOAD RATING

*nickel-bronze:* 1,000 lbs. (light duty, pedestrian traffic - heel-proof)  
*stainless steel:* 2,000 lbs. (light duty, pedestrian traffic - heel-proof)  
*cast iron:* 7,500 lbs. (heavy duty)

## STRAINER FREE AREA

*round nickel/stainless:* 11.75 in<sup>2</sup>  
*square nickel/stainless:* 16.4 in<sup>2</sup>  
*cast iron:* 9.58 in<sup>2</sup>

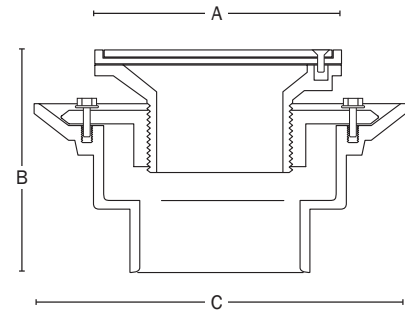
## DIMENSIONS

	<i>nickel/stainless</i>	<i>cast iron</i>
A: ring/strainer diameter	6 1/2" or 7"	6 5/8"
B: adjustable height	4 3/4" - 6 3/4"	5 3/8" - 7 3/8"
C: flange diameter	8 1/2"	
trap primer port	1/2" FIP thread, plugged	

Item # Submitted _____
Job Name _____
Location _____
Engineer _____
Contractor _____
PO# _____ TAG _____



863-23NQ



Create Item Number

**863-ABC**

e.g. 863-23NQYD = Flashing drain with 3" No-hub connection, square nickel-bronze ring and strainer, ductile iron top housing and flashing collar

### A CONNECTION SIZE

- 22 2" cast iron no-hub
- 23 3" cast iron no-hub
- 24 4" cast iron no-hub

### B RING & STRAINER

- i round cast iron
- NR round nickel-bronze
- NQ square nickel-bronze
- SR round stainless steel
- SQ square stainless steel

### C OPTIONS (FACTORY INSTALLED)

- Y ductile iron top housing <sup>1</sup>
  - D ductile iron flashing collar <sup>1</sup>
  - V vandal-resistant strainer screws
  - H hinged strainer <sup>2</sup>
  - E extended rim <sup>3</sup>
  - B complies with Buy American Act <sup>3</sup>
- 1 In lieu of ABS  
 2 Not available with cast iron strainers  
 3 Available for round nickel-bronze strainers only

### ACCESSORIES

- 863-FA round aluminum condensate funnel
- 863-FN round nickel condensate funnel
- 863-FNO oval nickel condensate funnel
- 842-UM stainless steel debris screen