

# AIR ADMITTANCE VALVE WITH ACCESS BOX

»» 250 SERIES

TurboVent™

## SPECIFICATION

Sioux Chief 250 series TurboVent air-admittance valves with fire-rated access box shall be installed as vent terminal for secondary venting within the plumbing system. Valve shall connect to DWV system via Sch. 40 adapter, and be made accessible after finish wall is installed. Valve shall incorporate an actuating device which spins upon activation to keep the elastomeric sealing surface clean and free of debris. During drainage, actuating device shall raise a designed distance under negative line pressure to allow optimal air flow into the DWV system. Valve shall provide a positive seal at 0 psi and under any positive line pressure to prevent sewer gasses from entering the living space.

## MATERIALS

- Valve housing:** ABS (white)
- Sealing member:** Elastomer
- DWV adapter:** ABS or PVC
- Access box:** ABS (white)
- Box frame:** Fire-rated ABS
- Louvered frame insert:** ABS (white)
- Fire-guard pad:** Intumescent material

## DFU RATING

- Stack:** 8\* or 24\*\* (drainage fixture units)
  - Branch:** 20\* or 160\*\* (drainage fixture units)
- \* When connected to 1-1/2" pipe    \*\* When connected to 2" pipe

## INSTALLATION

For use in wood or metal stud construction.  
Max of 100 in<sup>2</sup> of wall penetrations per 100 ft<sup>2</sup> of wall area.

## DIMENSIONS

- A:** Valve width                      2<sup>3</sup>/<sub>4</sub>"
- B:** Valve height                      2<sup>1</sup>/<sub>8</sub>"
- C:** Thread size                      2" NPT
- D:** Open screen area                1.13 in<sup>2</sup>
- E:** Adapter height                    1<sup>3</sup>/<sub>4</sub>"
- F:** Box rough-in width              4"
- G:** Box rough-in height            5<sup>1</sup>/<sub>2</sub>"
- H:** Pipe cutout diameter            2<sup>3</sup>/<sub>8</sub>"
- I:** Frame width                        5<sup>3</sup>/<sub>4</sub>"
- J:** Frame height                      5<sup>3</sup>/<sub>4</sub>"

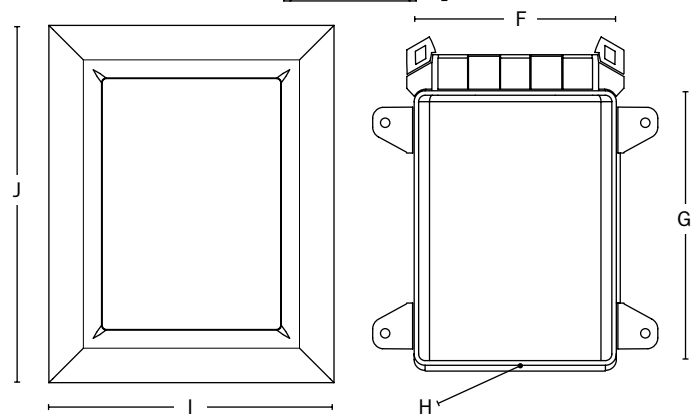
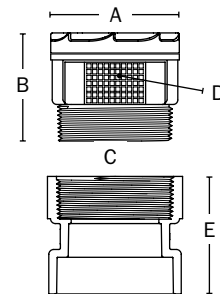
## CODES & STANDARDS

Certified by ASSE to 1050 & 1051; listed by IAPMO; adapters conform to ASTM D2661/D2665/F409; conforms to IPC 2009; conforms to IRC 2009; conforms to UPC 2009 section 301.2

ITEM # SUBMITTED _____
JOB NAME _____
LOCATION _____
ENGINEER _____
CONTRACTOR _____
PO# _____ TAG _____



250-696R122P



### Choose Item Number

## 250-A

e.g. **250-696R122P**: TurboVent air-admittance valve with fire-rated access box and PVC dual-fit adapter

### DWV ADAPTER A

- 696R122A** = ABS Adapter
- 696R122P** = PVC Adapter