



The new degree of comfort.®

Rheem® Thermostatic Tankless Electric Water Heater

Applications

- Handwashing
- Kitchen, bar, utility sinks
- Fixed or variable flow
- Ideal for multiple sensor or metering faucets

Performance Features

- Self-diagnostics with intelligent controls actively protect heater in installed environment
- SafeStart™ technology engages upon start-up to help avoid dry-fire occurrence
- Industry leading low flow activation at 0.2 GPM
- Digital LED display with accessible user interface communicates system status and heater operation feedback
- Silent operation on all models except for RTEH012240T
- Mounts in any orientation for a flexible installation
- Compact size fits almost anywhere; suitable for ADA compliant facilities

- Only one input line, hot or cold, needed for an easy installation
- Designed to deliver hot water to a single pipe faucet, mixing valves or mixing faucets
- Integral 3/8" compression fittings; no soldering or sweat connections required
- No T&P relief valve needed (check local codes); Ready to go, right out-of-the-box
- Save water and time by installing unit at the point-of-use
- Control system activates heater only on demand
- High temperature limit switch enables safe operation
- Active energy management with power modulation allows for thermostatic accuracy

Warranty

- 5-Year limited warranty on leaks, 1-year on parts

See Residential Warranty Certificate for complete information



Thermostatic Tankless Electric



Tested and certified by the Water Quality Association against NSF/ANSI 372 for lead free compliance.



Note: For optimum performance, mounting location should be within 2 feet of fixture.

Suggested Specification

Tankless water heater shall be a Rheem model number RTEH_____T.

Unit shall have ABS-UL 94-5VA rated cover. Unit shall have 0.2 GPM turn on. Unit shall allow mounting in any direction. Element shall be replaceable cartridge insert. Unit shall have replaceable filter in the inlet connector. Element shall be iron free, Nickel Chrome material. Tankless water heater to utilize complex algorithm, actively managing power application to real time system demand. Integrated flow meter, along with inlet and outlet temperature sensors provide data which allows the unit to instantly adapt to variations in input parameters. Heater shall be fitted with 3/8" compression fittings to eliminate need for soldering. Maximum operating pressure of 150 PSI. Accessible diagnostic features to include error/fault display. Hot water storage tanks prohibited. Unit shall be Rheem or approved equal.

Tankless water heater user interface must have the following capabilities:

- Selectable display including Celsius /Fahrenheit, set point, flow rate, inlet temperature, outlet temperature, and power factor

- Capable of displaying flow rate in gallons per minute & liters per minute
- Diagnostic features to include error/fault display
- Control board must maintain error/fault history of 5 events

Product Specifications

Dimensions:	10.75" H x 5.25" W x 3" D
Weight:	4 lb
Cover:	ABS-UL rated 94-5VA
Color:	Cool Grey
Adj. Temperature Range:	70°F-140°F
Min. Dynamic Operating Pressure:	35 PSI
Max. Dynamic Operating Pressure:	150 PSI
Element:	Replaceable nichrome cartridge insert
Fittings:	3/8" compression fittings
UL listed file number:	E86887

U.S. Patent #'s: 4,762,980 and 4,960,976





The new degree of comfort.



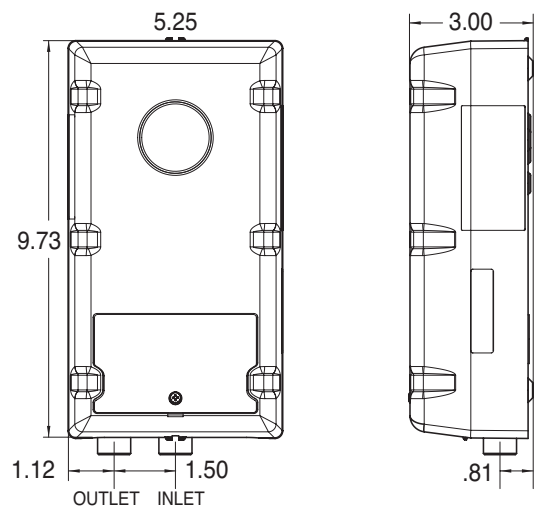
Rheem® Thermostatic Tankless Electric Water Heater Specifications

DESCRIPTION	FEATURES				TEMPERATURE RISE °F				ENERGY INFO	
	MODEL NUMBER	KW	AMPS	RECOMMENDED WIRE SIZE (75° C/CU)	TURN ON (GPM)	0.35 GPM	0.5 GPM	1.0 GPM	2.0 GPM	UNIFORM ENERGY FACTOR (UEF)
VOLTS 120										
RTEH1812T**	1.8	15	14 AWG	0.2	35°	25°	12°	6°	0.96	
RTEH2412T**	2.4	20	14 AWG	0.2	47°	33°	16°	8°	0.96	
RTEH3012T**	3.0	25	12 AWG	0.2	59°	41°	20°	10°	0.96	
RTEH3512T**	3.5	29	10 AWG	0.2	68°	48°	24°	12°	0.96	
VOLTS 208 Single Phase										
RTEH3208T**	3.0	15	14 AWG	0.2	59°	41°	20°	10°	0.97	
RTEH4208T**	4.1	20	14 AWG	0.2	80°	56°	28°	14°	0.98	
RTEH8208T**	8.3	40	8 AWG	0.2	†	†	57°	28°	0.98	
VOLTS 240*										
RTEH35T**	3.5	15	14 AWG	0.2	68°	48°	24°	12°	0.97	
RTEH35T (derated 208V perf.)	2.7	13	14 AWG	0.2	53°	37°	18°	9°	0.97	
RTEH48T**	4.8	20	14 AWG	0.2	94°	66°	33°	16°	0.97	
RTEH48T (derated 208V perf.)	3.6	17	14 AWG	0.2	70°	49°	25°	12°	0.97	
RTEH55T**	5.5	23	12 AWG	0.2	107°	75°	38°	19°	0.97	
RTEH55T (derated 208V perf.)	4.1	20	12 AWG	0.2	80°	56°	28°	14°	0.97	
RTEH65T**	6.5	27	12 AWG	0.2	†	89°	44°	22°	0.97	
RTEH65T (derated 208V perf.)	4.9	24	12 AWG	0.2	96°	67°	33°	17°	0.97	
RTEH75T**	7.5	32	10 AWG	0.2	†	102°	51°	26°	0.97	
RTEH75T (derated 208V perf.)	5.6	27	10 AWG	0.2	109°	76°	38°	19°	0.97	
RTEH95T**	9.5	40	8 AWG	0.2	†	†	65°	32°	0.98	
RTEH95T (derated 208V perf.)	7.0	34	8 AWG	0.2	†	96°	48°	24°	0.98	
RTEH012240T**	11.5	48	8 AWG	0.2	†	†	79°	39°	0.95	
RTEH012240T (derated 208V perf.)	8.7	42	8 AWG	0.2	†	†	59°	30°	0.95	
VOLTS 277 Single Phase										
RTEH3277T	3.0	11	14 AWG	0.2	59°	41°	20°	10°	0.97	
RTEH4277T	4.1	15	14 AWG	0.2	80°	56°	28°	14°	0.97	
RTEH60T	6.0	22	12 AWG	0.2	†	82°	41°	20°	0.97	
RTEH80T	8.0	29	10 AWG	0.2	†	109°	55°	27°	0.98	
RTEH90T	9.0	33	10 AWG	0.2	†	†	61°	31°	0.98	
RTEH100T	10.0	36	8 AWG	0.2	†	†	68°	34°	0.98	

* 240V units can be used on 208V single phase with 25% reduced temperature output. Please note per UL standards the rating plate and installation instructions will all be according to a 240V applied voltage. Check with local officials prior to derating the electrical infrastructure.

**Indicates evaluation and compliance to either Underwriters Laboratories (UL) or Intertek (ETL) under CAN/CSA-C22.2 No. 64/No. 88.

† Temperature electronically limited to factory preset not to exceed temperature.



In keeping with its policy of continuous progress and product improvement, Rheem reserves the right to make changes without notice.

