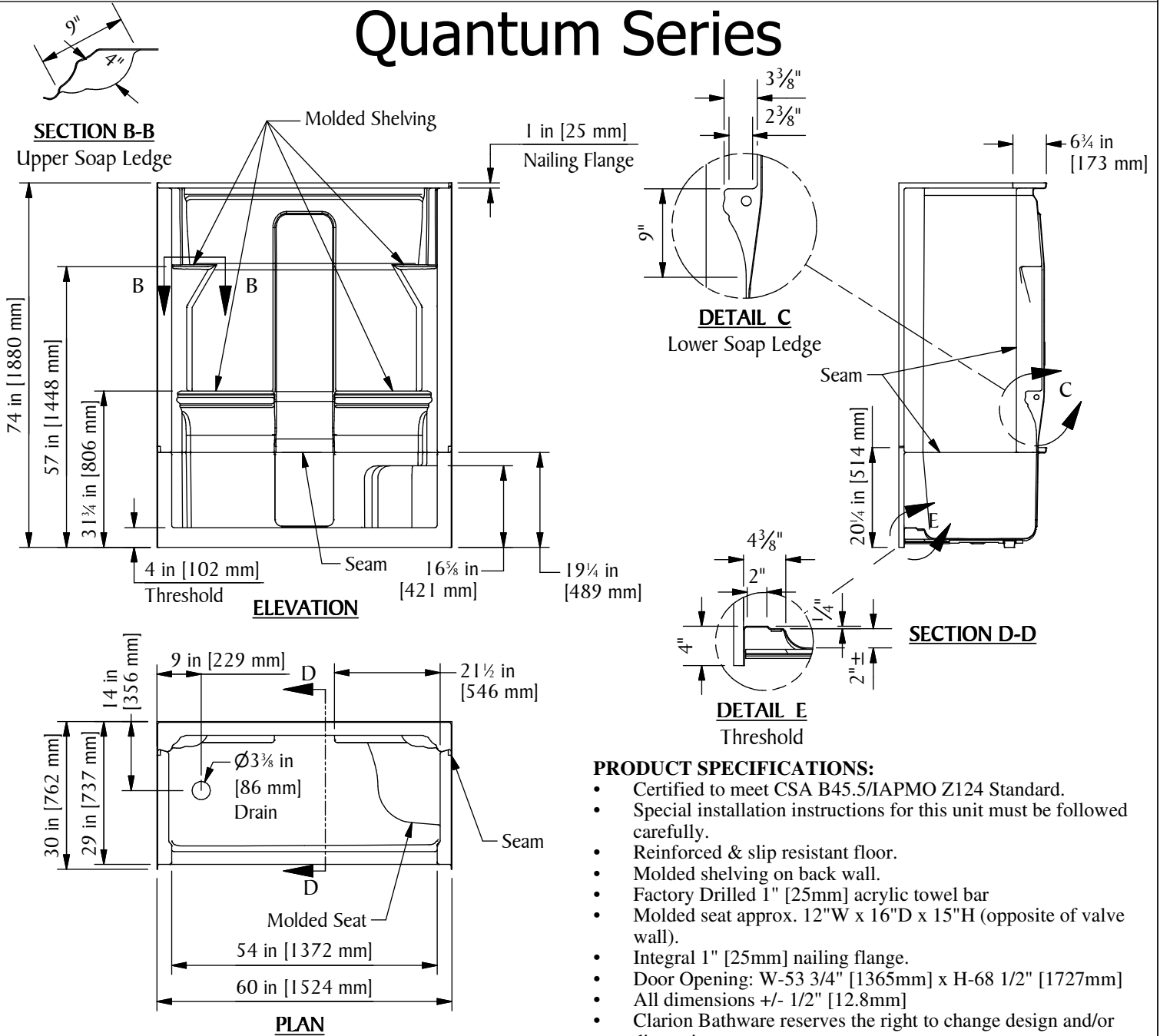


Quantum Series



PRODUCT SPECIFICATIONS:

- Certified to meet CSA B45.5/IAPMO Z124 Standard.
- Special installation instructions for this unit must be followed carefully.
- Reinforced & slip resistant floor.
- Molded shelving on back wall.
- Factory Drilled 1" [25mm] acrylic towel bar
- Molded seat approx. 12"W x 16"D x 15"H (opposite of valve wall).
- Integral 1" [25mm] nailing flange.
- Door Opening: W-53 3/4" [1365mm] x H-68 1/2" [1727mm]
- All dimensions +/- 1/2" [12.8mm]
- Clarion Bathware reserves the right to change design and/or dimensions.
- Dimensions are the same for all other versions of this model. Which include 4MS40LT/S or 4MS40RT/S

60" [1524mm] 4-Piece Shower w/ 4" [102mm] Threshold,
Molded Shelving & Molded Seat
Left Hand Version (4S40LT/S) Shown

4S40LT/S or 4S40RT/S

60" [1524mm] 4-Piece Shower w/ 4" [102mm] Threshold, Left or Right Hand Drain, Molded Shelving & Seat

Clarion
BATHWARE
44 Amsler Ave.
Shippensburg, PA 16254

Phone: (814) 226-5374
Toll Free: (800) 576-9228
Fax: (814) 226-0730
www.clarionbathware.com

Signatures For Approval:

Customer: _____
Arch./Engr: _____

Date: _____

DWG. #
4S40LTS or RTS -CUT

Quote #: _____
Job Name: _____

Dwg. By: CAL
Date: 6/01/2021