



T&S BRASS AND BRONZE WORKS, INC.

2 Saddleback Cove / P.O. Box 1088
Travelers Rest, SC 29690

Model No.

B-0456

Item No.

Travelers Rest, SC: 800-476-4103 • Simi Valley, CA: 800-423-0150 • Fax: 864-834-3518 • www.tsbrass.com

This Space for Architect/Engineer Approval

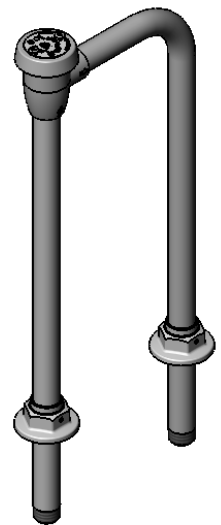
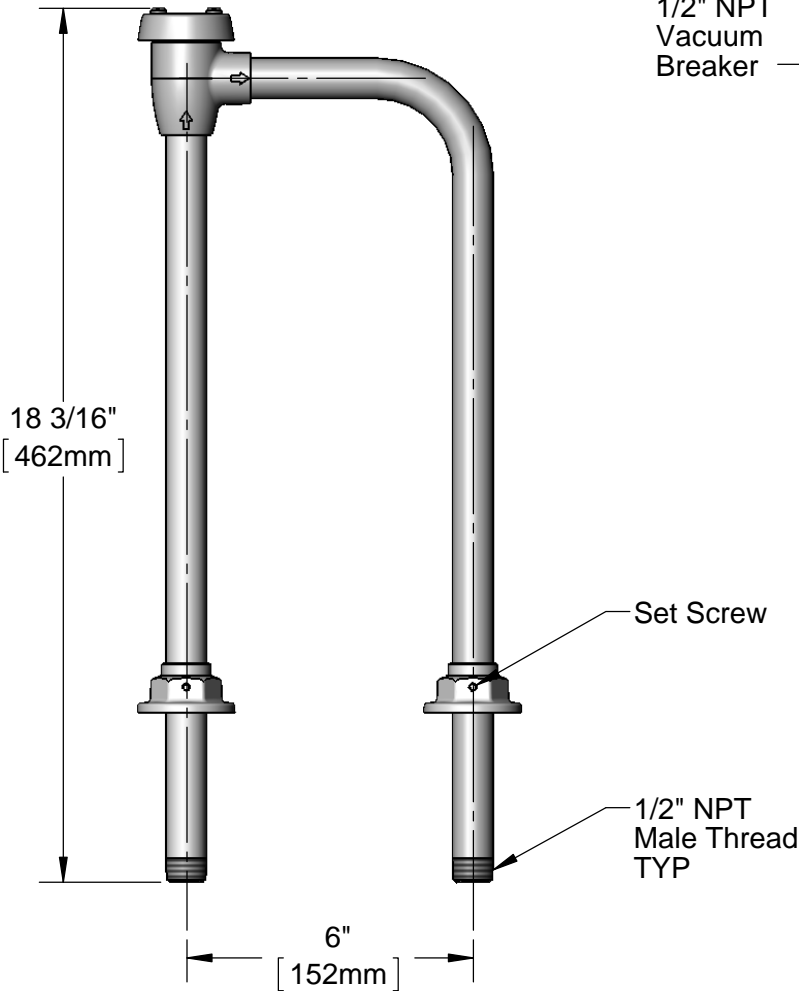
Job Name _____ Date _____

Model Specified _____ Quantity _____

Customer/Wholesaler _____

Contractor _____

Architect/Engineer _____



Ø2" Adjustable Flanges

Note:
Pipe Must be Held Rigid Under Sink by Connection Fittings, Brace, Etc.

Rough-In Requirement:
(2) Ø1 1/4" [32mm] Hole in Center of 45° Mounting Surface to Slip 1/2" Pipe Through

Product Specifications:
1/2" NPT Vacuum Breaker Unit, 6" c/c

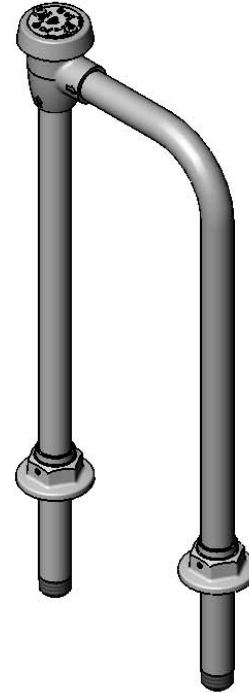
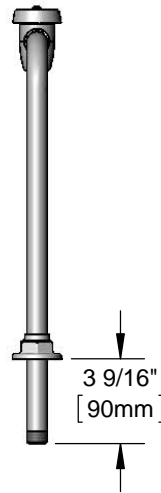
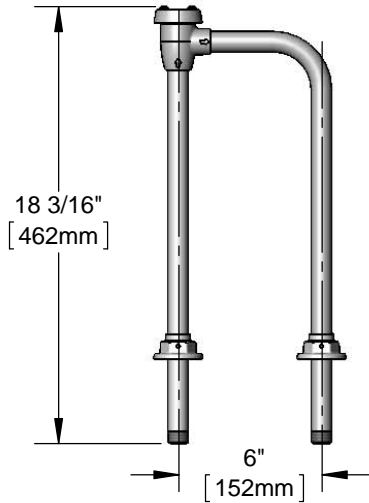
Product Compliance:
ASME A112.18.1 / CSA B125.1
NSF 61 - Section 9
NSF 372 (Low Lead Content)
ASSE 1001



Architect/Engineering Specifications:

6" center vacuum breaker unit with polished chrome plated brass body and 1/2" NPT male threads. Certified to ASME A112.18.1/CSA B125.1, NSF 61-Section 9, NSF 372 and ASSE 1001.

Job Name _____
 Model Specified _____ Quantity _____
 Variations Specified _____
 Date _____



Features & Benefits:

- 6" center mounting vacuum breaker unit
- 1/2" NPT male threads
- Adjustable slip flanges
- Pipe must be held rigid under with with connection fittings, brace, etc.
- Material: Polished chrome plated brass body & risers

Product Compliance:

- ASME A112.18.1 / CSA B125.1
- NSF 61 - Section 9
- NSF 372 (Low Lead Content)
- ASSE 1001

Warranty: One Year (Limited)

Performance Data:

- Pressure: 20 - 125 psi
- Temperature: 40 °F - 140 °F
- Flow Rate: 18.10 GPM @ 60 psi

(Outlet Device &/or Final Configuration May Reduce Flow Rate)



ADA Compliant

