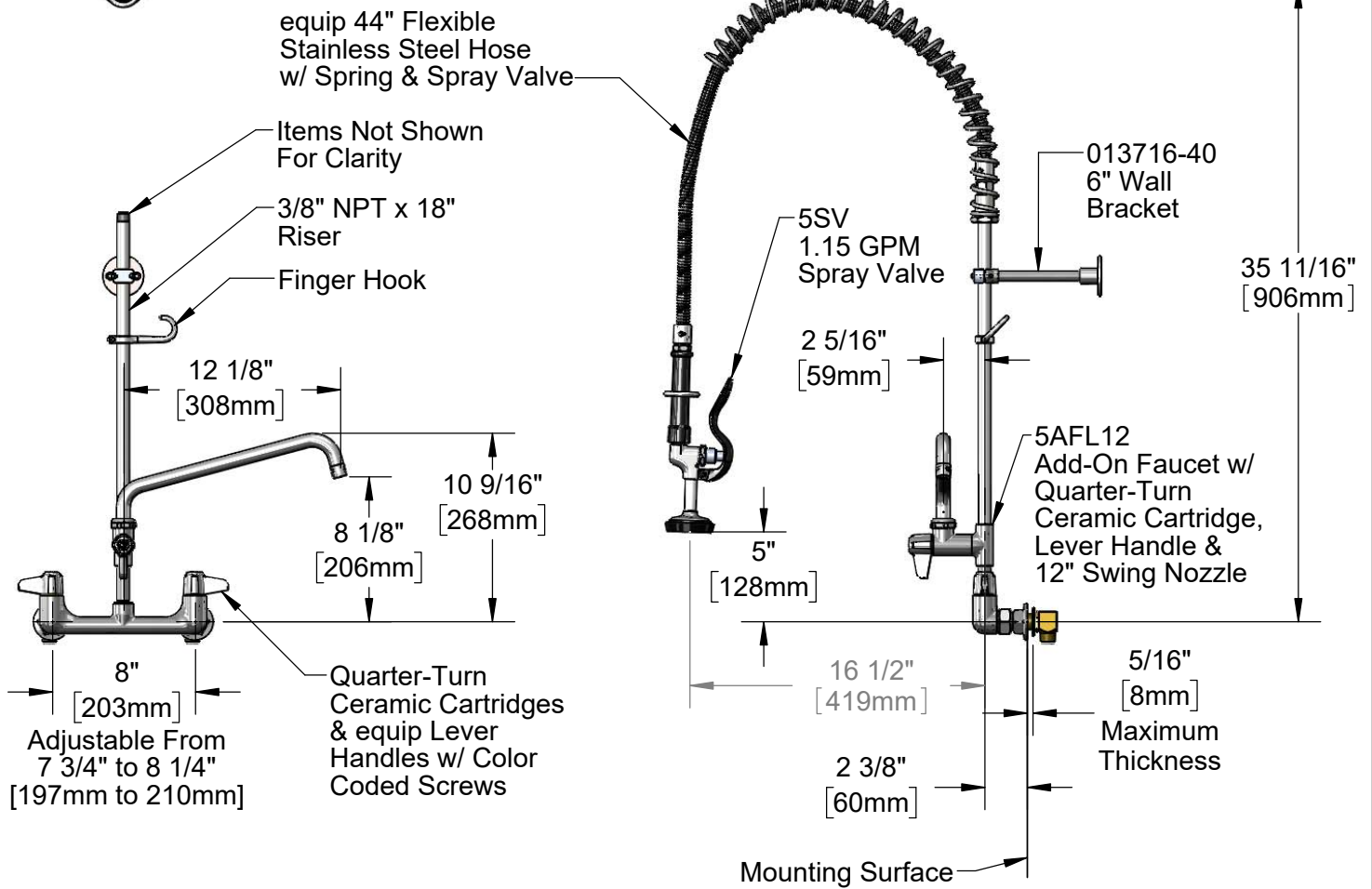
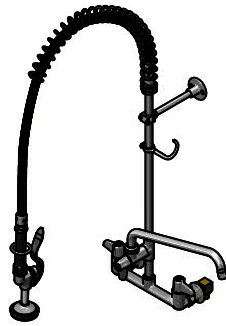
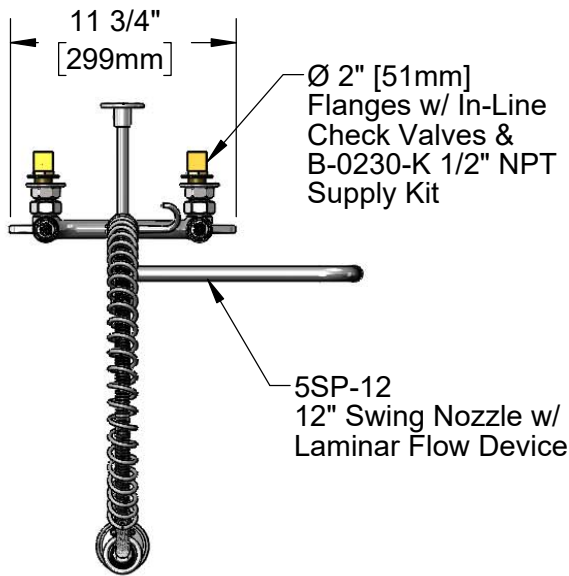


This Space for Architect/Engineer Approval

Job Name _____ Date _____
 Model Specified _____ Quantity _____
 Customer/Wholesaler _____
 Contractor _____
 Architect/Engineer _____



Model Number

5PR-8WLS12

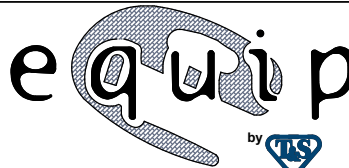
Product Specifications:

Pre-Rinse Unit: 8" Wall Mount Mixing Faucet w/ Ceramic Cartridges, Add-On Faucet w/ 12" Swing Nozzle, 1.15 GPM Spray Valve, 6" Wall Bracket, In-Line Check Valves & B-0230-K Supply Kit w/ 1/2" NPT Male Inlets

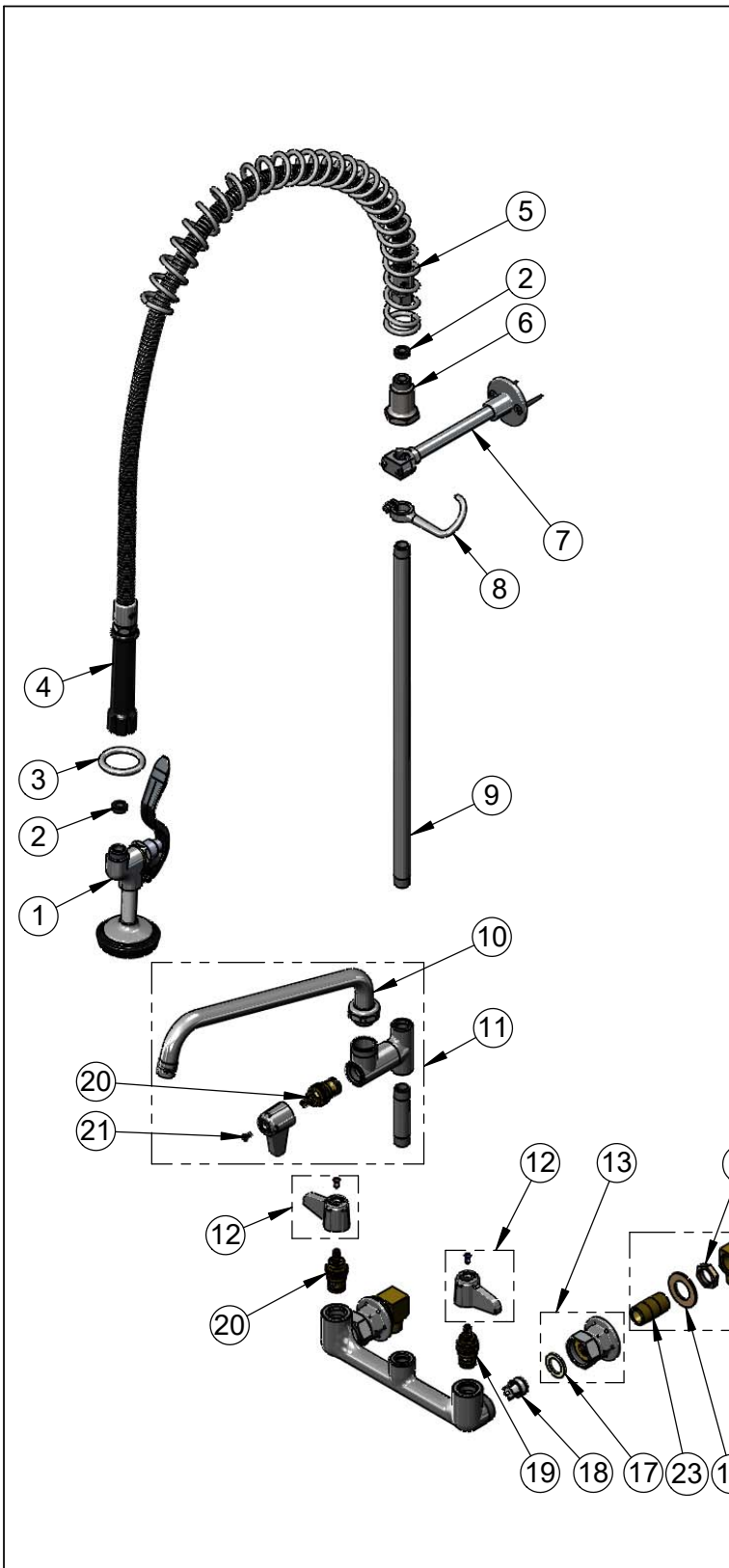
Product Compliance:

ASME A112.18.1 / CSA B125.1
 NSF 61 - Section 9
 NSF 372 (Low Lead Content)
 2019 DOE PRSV - Class II

equip
 Foodservice
 Accessories



2 Saddleback Cove, P.O. Box 1088
 Travelers Rest, South Carolina 29690
 Phone: 800.891.4808 Fax: 800.868.0084
 equip.tsbrass.com



ITEM NO.	SALES NO.	DESCRIPTION
1	5SV	equip 1.15 GPM Spray Valve
2	010476-45	#27 Washer
3	000907-45	Spray Valve Hold Down Ring
4	5HSE44	44" Flexible Stainless Steel Hose w/ Washer
5	014068-45	Overhead Spring
6	000821-40	Spring Body
7	013716-40	6" Wall Bracket
8	004R	Finger Hook
9	000369-40	3/8" NPT x 18" Riser
10	5SP-12	equip 12" Swing Nozzle
11	5AFL12	Add-On Faucet w/ 12" Swing Nozzle
12	5-HDL-L	equip Lever Handle w/ Color Coded Screws
13	00AA	1/2" NPT Female Inlet Flange
14	002954-45	Shank Lock Nut
15	B-0230-K	Supply Kit w/ 1/2" NPT Male Inlet
16	000999-45	Brass Lock Washer
17	001019-45	Coupling Nut Washer
18	013840-45	20mm Check Valve (2)
19	013788-45	equip Quarter-Turn Ceramic Cartridge, LTC
20	013787-45	equip Quarter-Turn Ceramic Cartridge, RTC
21	013849-45	Handle Screw (10)
22	B-1100-K	1/2" NPT Male Inlet Elbow
23	013357-20	1/2" NPT x 1-5/8" Lg. Close Nipple

Model Number
5PR-8WLS12

Product Compliance:
ASME A112.18.1 / CSA B125.1
NSF 61 - Section 9
NSF 372 (Low Lead Content)
2019 DOE PRSV - Class II

Product Specifications:
Pre-Rinse Unit: 8" Wall Mount Mixing Faucet w/ Ceramic Cartridges, Add-On Faucet w/ 12" Swing Nozzle, 1.15 GPM Spray Valve, 6" Wall Bracket, In-Line Check Valves & B-0230-K Supply Kit w/ 1/2" NPT Male Inlets

equip
Foodservice
Accessories



2 Saddleback Cove, P.O. Box 1088
Travelers Rest, South Carolina 29690
Phone: 800.891.4808 Fax: 800.868.0084
equip.tsbrass.com