



T&S BRASS AND BRONZE WORKS, INC.
 2 SADDLEBACK COVE / P.O. BOX 1088 / TRAVELERS REST, SC 29690
 PHONE 800-476-4103 FAX 864- 834-3518



REG.#A2601
 ISO #9001

Model No.

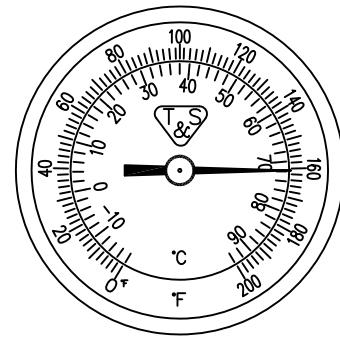
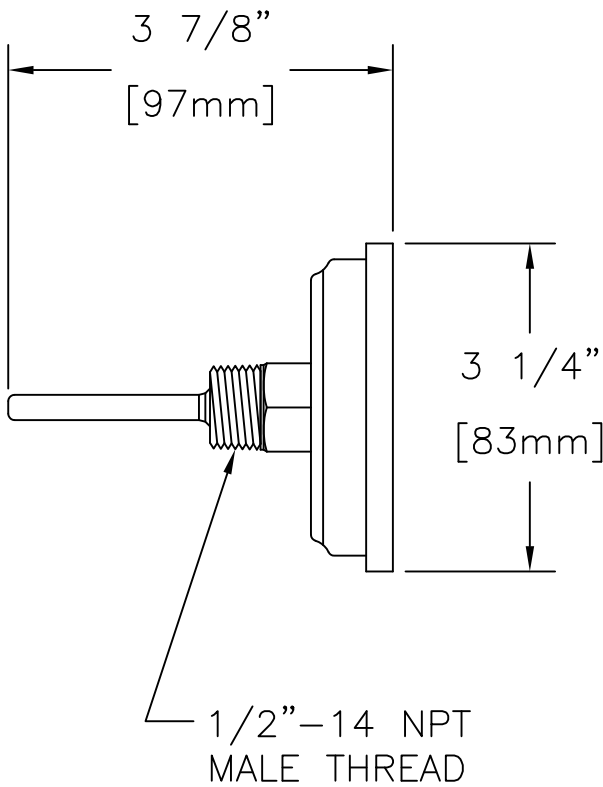
003799-45

Item No.:

Job Name:

Architect/Engineer Approval:

Notes:



Product Description:
 THERMOMETER, 0° F — 200° F

Drawn:

DMH

Checked

DHL

Scale:

1:2

Approved

JHB

Date:

06/03/11