

## EP WASHLET®+ S7 Wall-Hung Toilet - 1.28 GPF / 0.9 GPF

### FEATURES

#### EP Bowl

- Ultra high-efficiency DYNAMAX TORNADO FLUSH® system -1.28 GPF / 0.9 GPF (4.8 LPF / 3.4 LPF)
- CEFIONTECT® ceramic glaze minimizes waste from sticking to porous ceramic surfaces
- Universal Height
- Elongated shape front bowl

#### S7 WASHLET

- Elongated front WASHLET toilet with seat cover
- See spec sheet SW4726AT40 for WASHLET features

#### DuoFit In-Wall Tank

- Ultra high-efficiency dual flushing system - 1.28 GPF / 0.9 GPF (4.8 LPF / 3.4 LPF) Avg. flush 1.03 GPF
- Adjustable 15" -19" mounting height
- Saves up to 9" of floor space compared to standard floor-mounted toilet
- Supports up to 880lbs
- Commercial 2" x 6" or optional residential installation with 2" x 4" wall studs with waste outlet kit
- Copper supply line

#### Push Plate

- YT930#MS
- Matte Silver Basic Round Push Plate

### MODELS

- **CWT4284726CMFG#MS**  
EP WASHLET+ with S7
  - **CT428CFGT40#01**  
EP Wall-Hung Toilet
  - **WT173M**  
In-Wall Tank System (Copper Pipe)
  - **SW4726AT40#01**  
S7 WASHLET  
Elongated WASHLET
  - **THU805**  
WASHLET connection kit
  - **YT930#MS**  
Matte Silver Basic Round Push Plate

### Available Options

- YT920#WH - White Matte Basic Square Push Plate
- YT920#MS - Matte Silver Basic Square Push Plate
- YT930#WH - White Matte Basic Round Push Plate
- YT970#SS - Stainless Steel Wall Square Push Plate
- YT980#SS - Stainless Steel Wall Round Push Plate



**DYNAMAX  
TORNADO FLUSH**



**EWATER+**



**CEFIONTECT**



**Skirted Design**



**UNIVERSAL HEIGHT**

### COLORS/FINISHES

- #01 Cotton

### CODES/STANDARDS

- Meets and exceeds:
  - Bowl: ASME A112.19.2/CSA B45.1, ASME A112.19.14
  - Carrier System: ASME A112.6.2
  - Tank Trim: IAPMO PS50, CSA B125.3, ASSE1002
- Certifications: IAPMO (cUPC®), EPA WaterSense®, State of Massachusetts, City of Los Angeles, and others
- Code Compliance: UPC, IPC, NSPC, NPC Canada, and others
- Legislative Compliance: California AB715, California Green Building Code, City of Los Angeles Water Efficiency Ordinance, and others
- Complies with CA Prop 65 warning requirements



# CWT4284726CMFG#MS

## EP WASHLET®+ S7 Wall-Hung Toilet - 1.28 GPF / 0.9 GPF

### SPECIFICATIONS

	CT428CFGT40	S7	WT173M
Water Use	1.28 / 0.9 GPF (4.8 / 3.4 LPF)		1.28 GPF / 0.9 GPF (4.8 LPF / 3.4 LPF)
Flush System	DYNAMAX TORNADO FLUSH®		Dual flushing
Min. Water Pressure	8 psi (static)		8 psi (static)
Max. Water Pressure	108.75 psi (static)		108.75 psi (static)
Water Surface	5-1/2" X 4-1/8"		
Trap Diameter	2-1/8"		
Installation Height	15" to 19"		15" to 19"
Trap Seal	2-1/8"		
Warranty	One Year Limited Warranty	One Year Limited Warranty	One Year Limited Warranty
Material	Vitreous China		Various
Shipping Weight	68 lbs	15 lbs	44 lbs
Shipping Dimensions	22" L x 14.6" W x 16.5 H	23-3/8" L x 17-5/8" W x 6-1/4" H	47" L x 26-1/2" W x 5-3/4" H

See SW4726AT40 Specification Sheet for details on included WASHLET.

#### CT428CFGT40

This universal height, ultra high-efficiency DYNAMAX TORNADO flushing system toilet shall be 1.28 GPF / 0.9 GPF (4.8 LPF / 3.4 LPF). Toilet shall have CEFIONTECT® ceramic glaze. Toilet shall be mounted to in-wall tank system, elongated front bowl and wall-mounted push-button type trip lever. Toilet shall be TOTO Model CT428CFGT40#01.

#### S7

Contemporary elongated WASHLET

#### YT930#MS

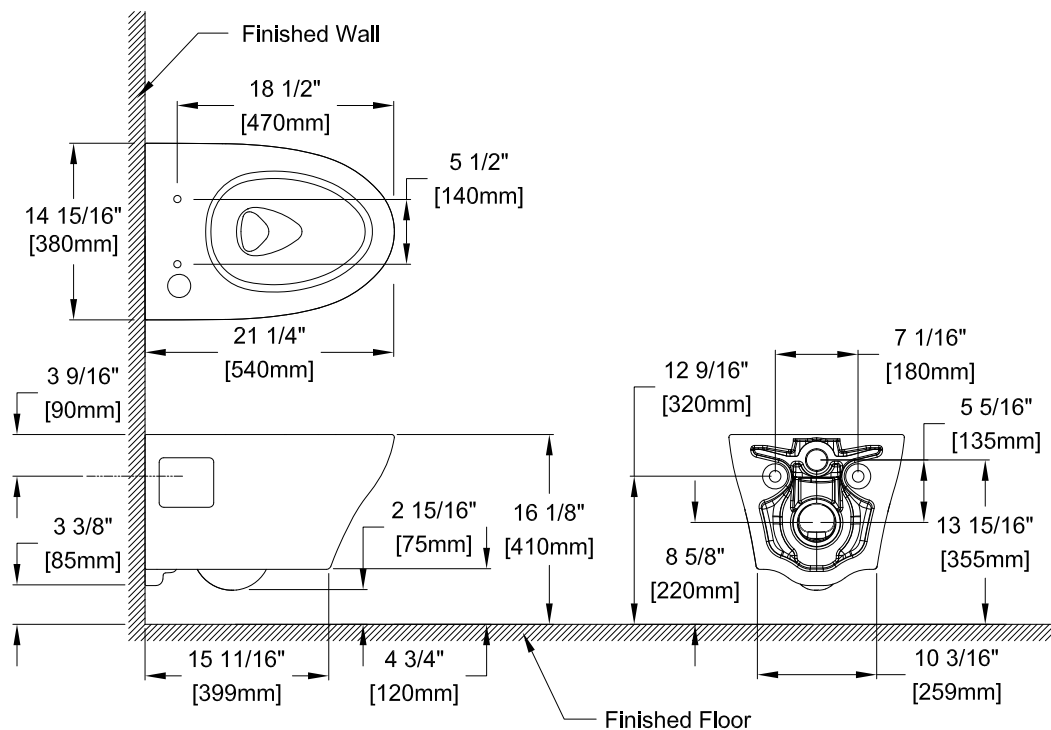
Dual Button Push Plate  
#MS Matte Silver

#### WT173M

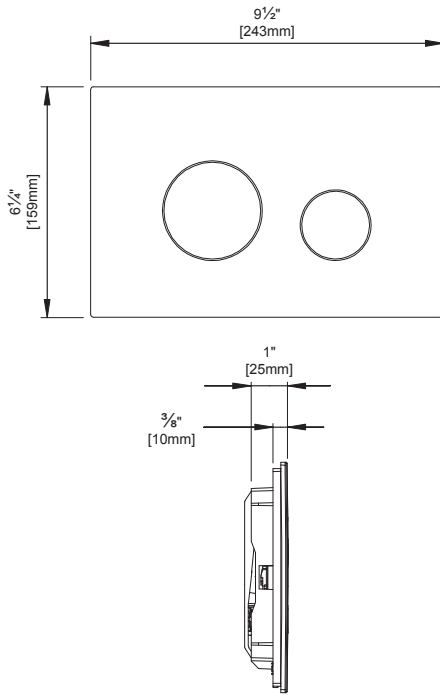
This universal height, high-efficiency, dual flushing, in-wall tank system toilet shall be 1.28 GPF / 0.9 GPF (4.8 LPF / 3.4 LPF). Requires TOTO toilet model CT428CFGT40. In-Wall tank system shall be TOTO Model WT173M.

### DIMENSIONS

#### CT428CFGT40



### YT930

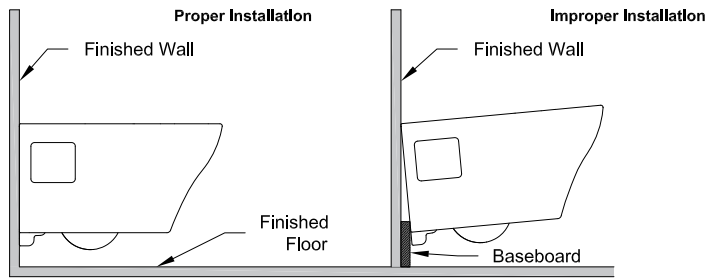


### INSTALLATION NOTES

- WT173M  
Adequate structural bracing is required. Framing support should be capable of supporting 880 lbs load without damage to the wall. See installation manual for more details.

Recommend to use plywood with a minimum thickness of 1/2" for the wall panel.

### WT173M



### DIMENSIONS

#### WT173M

