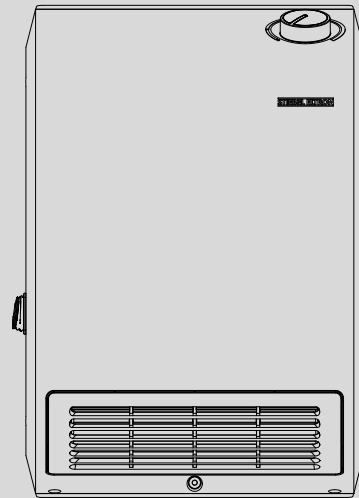


OPERATION AND INSTALLATION OPERACIÓN E INSTALACIÓN UTILISATION ET INSTALLATION

Electric fan heater | Calentador eléctrico con ventilador
| Convecteurs électriques soufflants

- » CK 150-1 Trend
- » CK 200-2 Trend



STIEBEL ELTRON



Certified to ANSI/UL Std. 2021
Conforms to CAN/CSA Std. C22.2 No.46

Certificación con ANSI/UL Std. 2021
Conforme a CAN/CSA Std. C22.2 No.46

Certifié à la norme ANSI/UL Std. 2021
Conforme à la norme CAN/CSA Std. C22.2 No.46

OPERATION

1. Important Instructions	2
1.1 Document information	2
1.2 Safety instructions	2
1.3 Other symbols in this documentation	3
2. Safety	3
2.1 Intended use	3
2.2 Safety information	3
2.3 Licenses/certificates	3
2.4 Test symbols	3
3. Register your product	4
4. Heater description	4
5. Settings	4
6. Cleaning, care and maintenance	4
7. Storage	5
8. Troubleshooting	5

INSTALLATION

9. Safety	5
9.1 General safety instructions	5
9.2 Instructions, standards and regulations	5
10. Heater description	5
10.1 Standard delivery	5
11. Installation	6
11.1 Wall mounting	6
11.2 Heater installation	6
11.3 Power supply	6
11.4 Wiring block	7
12. Heater handover	7
13. Maintenance	7
14. Specification	8
14.1 Dimensions and connections	8
14.2 Minimum clearances to hard surfaces	8
14.3 Data table	9
14.4 Wiring diagram CK 150-1 Trend	9
14.5 Wiring diagram CK 200-2 Trend	9
15. Warranty	10

OPERATION

1. Important Instructions

When using electrical appliances, basic precautions should always be followed to reduce the risk of fire, electric shock, and injury to persons, including the following:

- 1 Read all instructions before installing or using this heater.
- 2 To reduce the risk of fire, do not store or use gasoline or other flammable vapors and liquids in the vicinity of the heater.
- 3 This heater is hot when in use. To avoid burns, do not let bare skin touch hot surfaces. Keep combustible materials, such as furniture, pillows, bedding, papers, clothes, etc. and curtains at least 3 feet (0.9 m) from the front of the heater and keep them at least 3 feet (0.9 m) away from the sides and rear.
- 4 Extreme caution is necessary when any heater is used by or near children or invalids and whenever the heater is left operating and unattended.
- 5 Do not operate any heater after it malfunctions. Disconnect power at service panel and have heater inspected by a reputable electrician before reusing.

1.1 Document information

The chapter **Operation** is intended for both the user and qualified contractors.

The chapter **Installation** is intended for qualified contractors.



NOTE:
Read these instructions carefully before using the heater and retain them for future reference.
Pass on the instructions to a new user if required.

1.2 Safety instructions

1.2.1 Structure of safety instructions



KEYWORD: Type of risk
Here, possible consequences are listed that may result from failure to observe the safety instructions. Steps to prevent the risk are listed.

1.2.2 Symbols, type of risk

Symbol	Type of risk
	Injury
	Electrocution
	Burns (burns, scalding)
	Fire

OPERATION

Safety

1.3 Other symbols in this documentation

**NOTE:**

Notes are bordered by horizontal lines above and below the text. General information is identified by the adjacent symbol.

► Read these texts carefully.

Symbol	Meaning
	Material losses (heater damage, consequential losses and environmental pollution)
	Appliance disposal
	Never cover the heater

► This symbol indicates that you have to do something. The action you need to take is described step by step.

2. Safety

Observe the following safety information and regulations.

Operate the heater only when fully installed and with all safety equipment fitted.

2.1 Intended use

This heater is designed to heat indoor living areas.

Any other use beyond that described shall be deemed inappropriate. Observation of these instructions and of instructions for any accessories used is also part of the correct use of this heater.

2.2 Safety information

Operate the heater only when fully installed and with all safety equipment fitted.

The heater must be properly installed before it is used.

**DANGER: Electrocutation**

Before cleaning, make sure the power has been turned off at the circuit breaker panel and that the heating element of the heater is cool.

**WARNING: Burns**

Never operate this heater ...

- if the minimum clearances to adjacent object surfaces are not maintained, for example to furniture, net curtains, curtains, textiles or other flammable materials (See 14.2, "Minimum clearances to hard surfaces", pg. 8).
- in rooms where the heater is at risk from fire or explosion as a result of chemicals, dust, gases or vapors.
- in the direct proximity of pipes or containers that carry or contain flammable or explosive materials.
- if work such as laying cables, grinding or sealing is carried out in the installation room.
- if sprays, floor polish or similar products containing gasoline are used. Vent the room sufficiently before heating.
- if an heater component is damaged, the heater has fallen over or already had a fault.
- outdoors.

**WARNING: Fire**

Never place any flammable, combustible or insulating objects or materials, such as laundry, blankets, magazines, containers with floor polish or gasoline, spray cans or similar on the heater or in direct proximity to it.

**WARNING: Fire**

Ensure that no foreign bodies enter the air inlet and outlet. This could result in electric shock or fire or in damage to the heater.

**WARNING: Fire**

To prevent fires ensure that the air inlet and outlet are never blocked. Never position the heater on soft surfaces, such as a bed, as this could result in the apertures becoming blocked.

**WARNING: Burns**

The casing surfaces of the heater and the expelled air become hot during use (above 194°F (90°C)). To prevent burns ensure that the hot surfaces never come into contact with bare skin.

**MATERIAL LOSSES:**

Never cover the heater.
Never step on the heater.

2.3 Licenses/certificates

- UL (U.S.A) Std. 2021
- CSA (Canada) Std. 22.2 No. 46

2.4 Test symbols

See type plate on the heater.

Register your product

3. Register your product



You must register this product within 90 days of purchase on our web site in order to activate the standard warranty or to be eligible for any extended warranty. Go to our web site at www.stiebel-eltron-usa.com and click on register your product.

Before beginning the registration process, we suggest that you gather the necessary information which will be as follows:

Model (Example: CK 200-2 Trend): _____

Serial number (listed after "Nr."): _____

Place of Purchase: _____

Purchase Date: _____

First & Last Name: _____

Email address: _____

Physical Address: _____

Phone Number: _____

If you have any questions concerning the registration process or warranty options, please contact Stiebel Eltron USA directly at (800)-582-8423.

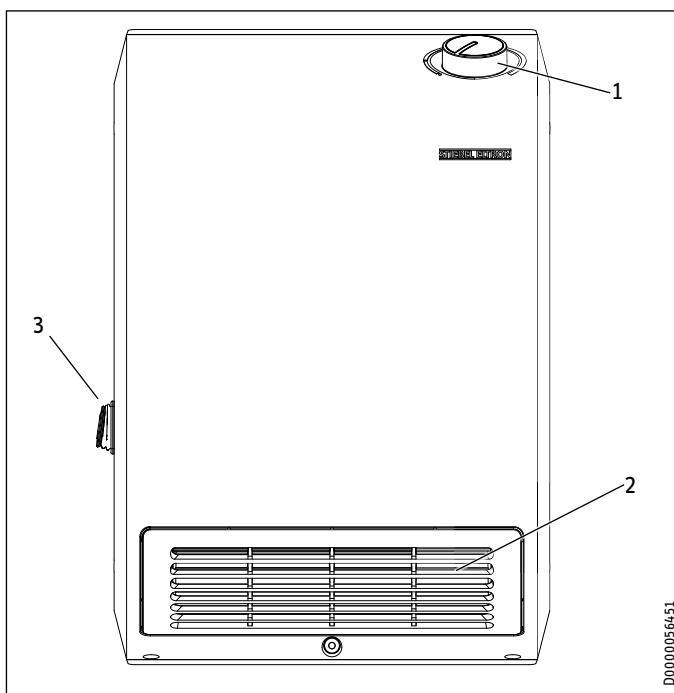
4. Heater description

The unit is a wall mounted electric direct heater. It is suitable for use in areas such as workspaces, kitchens, bathrooms and alike.

The heater heats the indoor air and keeps it at the selected temperature. The heater includes a fan that draws in indoor air through an air intake at the back of the heater. Inside the heater, the intake air is routed over a PTC heating element. Heated air is expelled through the air discharge at the front of the heater. When the selected room temperature has been reached, the heater maintains it through peroidic heating.

The heater is equipped with a high limit safety cut-out that switches the heater off in case it overheats. Once the cause of the fault has been eliminated, the heater restarts within a few minutes (cooling period).

The heater is equipped with further overheating protection in the form of a fuse that shuts down the heater irreversibly in the event of severe overheating.



- 1 Temperature selector
- 2 Air discharge
- 3 On/off rocker switch

5. Settings

On the left side of the unit, there is an on/off rocker switch that controls the operation. In the on position, the unit may turn on if the thermostat calls for heat. In the off position, the unit does not function.

The required room temperature can be infinitely adjusted by means of the temperature selector.

To shut down the heater, disconnect the circuit breaker for the heater.

Frost protection

To use the heater only to protect from frost, turn the temperature selector counterclockwise as far as it will go. In this position, the heater heats automatically if the room temperature falls below the frost protection temperature (See 14.3, "Data table", pg. 9).

6. Cleaning, care and maintenance



DANGER: Electrocutation

Before cleaning, make sure the power has been turned off at the circuit breaker panel and that the heating element of the heater is cool.

Clean the exterior of the heater when cold with ordinary cleaning products. Avoid abrasive or corrosive cleaning products.

If a pale brownish discoloration appears on the heater casing, wipe this off as soon as possible with a damp cloth.

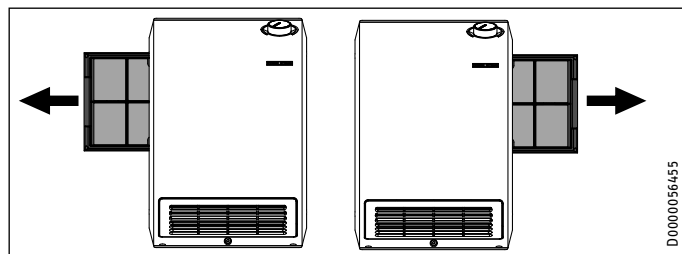


MATERIAL LOSSES:

Never spray cleaning spray into the air slot.

Dust filter cleaning

- Clean the dust filter at regular intervals. The dust filter can be pulled out from either side of the heater. You may need to detach the heater from the wall mounting bracket beforehand (See 11.1, "Wall mounting", pg. 6).



7. Storage

- When not in use, keep the heater in a dry place.

8. Troubleshooting

Problem	Cause	Remedy
The heater does not deliver the required heating output.	The dust filter is heavily clogged.	Check and, if necessary, clean the dust filter.
The heater does not heat up.	The temperature has been set too low on the heater.	Check the temperature set on the heater.
	Fuse or safety switch has blown/tripped.	Check the circuit breaker in your distribution panel.
	Overheating. High limit safety cut-out has responded.	Eliminate the cause (dirt or obstructions at the air inlet or outlet). The high limit will reset automatically.
	Fuse has blown.	Heater cannot be restarted. Contact Stiebel Eltron.

If you cannot remedy the fault, notify your qualified contractor. To facilitate and speed up your request, provide the number from the type plate (000000-0000-000000).

SAVE THESE INSTRUCTIONS

INSTALLATION

9. Safety

Only a qualified contractor should carry out installation, commissioning, maintenance and repair of the heater.

9.1 General safety instructions

We guarantee trouble-free function and operational reliability only if original accessories and spare parts intended for the heater are used.

9.2 Instructions, standards and regulations



NOTE:

Observe all applicable national and regional regulations and instructions.

- Install the heater in such a way that control equipment cannot be touched by a person in the bath or shower.
- All electrical connection and installation work must be carried out in accordance with the rules of your local power supply utility, and relevant national and local regulations.
- Only mount the heater on a vertical wall that is temperature-resistant to at least 194°F (90°C).
- Maintain minimum clearances to adjacent surfaces (See 14.2, "Minimum clearances to hard surfaces", pg. 8).
- Ensure wiring to the heater is of adequate gauge.
- Mount the heater no nearer than 4" (10 cm) from a wall socket.
- Never install the heater directly below a wall socket.
- When installing the heating heater in rooms with a bath or shower, observe the safety zone in accordance with the details on the heater type plate.
- Observe the type plate. The specified voltage must match the mains voltage.

10. Heater description

The heater is a wall-mounted electric heater. It is particularly suitable for heating rooms, such as work rooms, kitchens, bathrooms, wash rooms etc.



WARNING: Fire

A heater has hot and arcing or sparking parts inside. Do not use it in areas where gasoline, paint or flammable vapors or liquids are used or stored.

10.1 Standard delivery

The following are delivered with the heater:

- Wall mounting bracket

INSTALLATION

Installation

11. Installation



DANGER: Electrocutation
If installing the heater in rooms with a bath and/or shower, take the relevant safety zone into account in accordance with the information on the heater type plate.
Install the heater in such a way that switching and control equipment cannot be touched by a person in the bath or shower.



WARNING: Fire
Only fit the heater to a vertical wall that is heat-resistant to at least 194°F (90°C).
Maintain minimum clearances to adjacent surfaces.
Never install the heater directly below a wall socket.

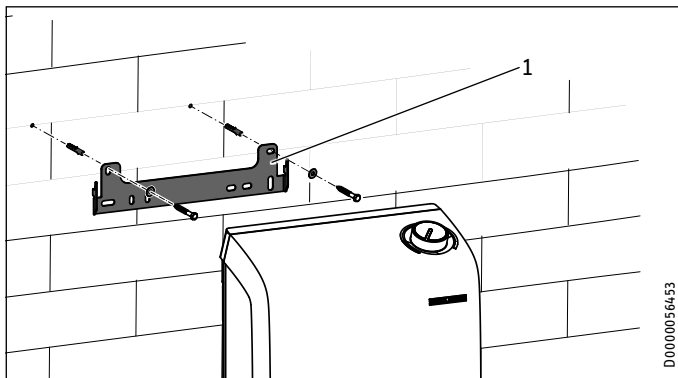
11.1 Wall mounting



NOTE:
Secure the wall mounting bracket with the tab cut-out pointing upwards.



NOTE:
Use appropriate fastening materials.

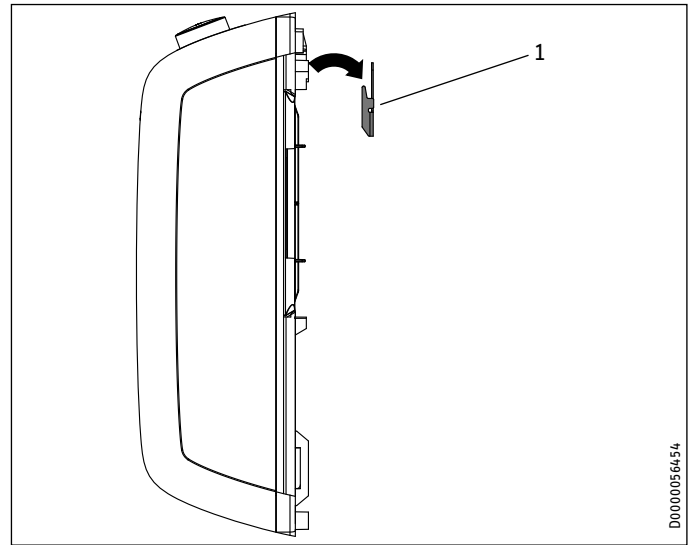


- 1 Wall mounting bracket
- ▶ Mark out the holes to be drilled for the wall mounting bracket on the wall. Use the wall mounting bracket as a template for this purpose.
 - ▶ Drill the holes.
 - ▶ Secure the wall mounting bracket horizontally to the wall with suitable rawl plugs and screws.

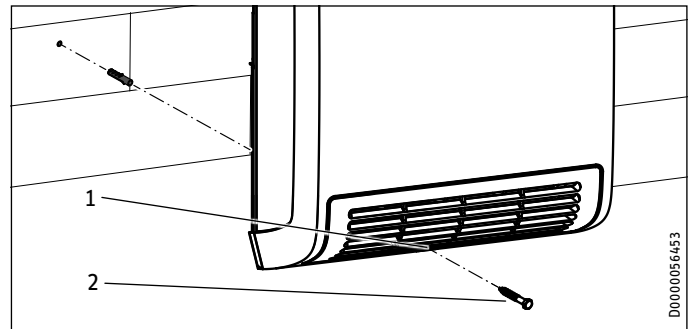


NOTE:
The horizontal and vertical slots enable an adjustment in case the fixing holes are not quite where they should be.

11.2 Heater installation



- 1 Wall mounting bracket
- ▶ Hook the heater with the upper vertical recesses of the back panel onto the wall mounting bracket.



- 1 Through-hole for locking screw
 - 2 Locking screw
- ▶ Mark out the hole to be drilled for the locking screw. Use the through hole in the lower section of the heater casing as a template for this purpose.
 - ▶ Remove the heater from the wall mounting bracket.
 - ▶ Drill the hole for the locking screw. Insert a suitable rawl plug.
 - ▶ Hang the heater as described on the wall mounting bracket.
 - ▶ Secure the heater with a suitable screw.

11.3 Power supply



WARNING: Electrocutation
Carry out all electrical connection and installation work in accordance with relevant regulations.



MATERIAL LOSSES:
The specified voltage must match the mains voltage. Observe the type plate.

INSTALLATION

Heater handover

11.3.1 Permanent connection



WARNING: Electrocution

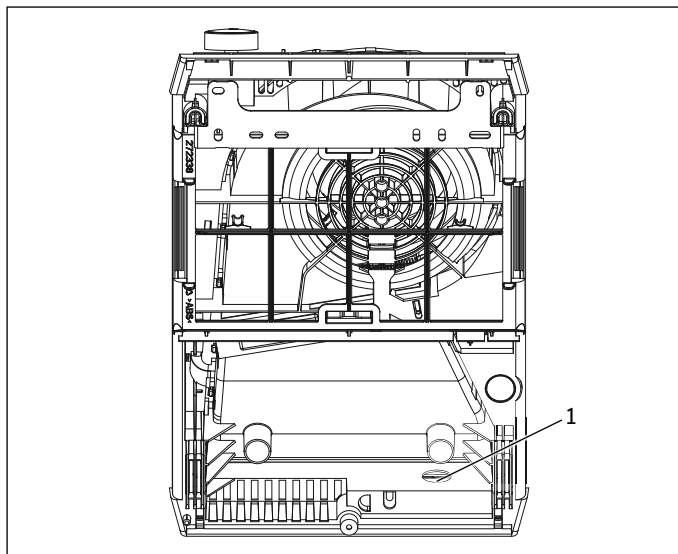
The heater must be able to be separated from the power supply by an isolator that disconnects all poles.



MATERIAL LOSSES:

The heater is suitable only for permanent connection.

The power cable must be routed into the back of the unit to the wiring block. The cable entry point is shown in the illustration below. Install a cable clamp to prevent the power cable from being pulled out of the wiring block during operation.



1 Cable entry, rear view of unit

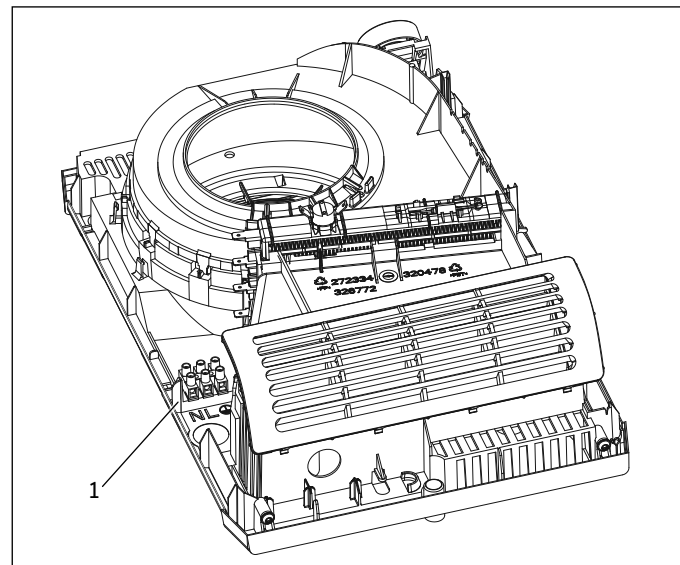
► Connect the permanent power supply cable to wiring block.

Never install the heater directly below an outlet.

In case of ROMEX wire, install 1/2" ROMEX connector in knockout.
In case of Greenfield, please use 1/2" Greenfield connector.

11.4 Wiring block

The wiring block is located around the side of the unit from the cable entry point. Route the power cable to the wiring block and secure the wire using the screws.



1 Wiring block

Consult the chart below for the recommended torque amounts on the wiring block screws.

Screw Size (mm)	Min. Torque (N•cm)	Min. Torque (Lbf•in)
M2	30-40	2.65-3.54

Using the proper torque specifications to secure wire to the wiring block helps to avoid personal loss or property damage.

12. Heater handover

Explain the functions of the heater to the user. Draw special attention to the safety information. Hand the operating and installation instructions to the user.

13. Maintenance



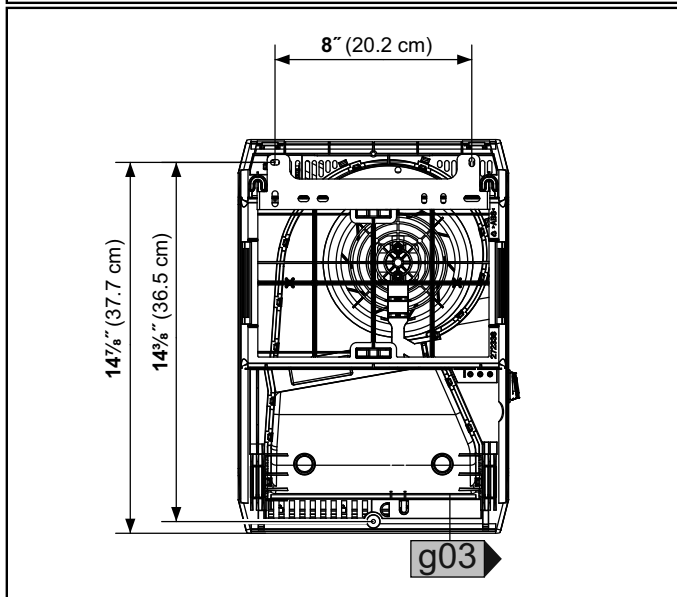
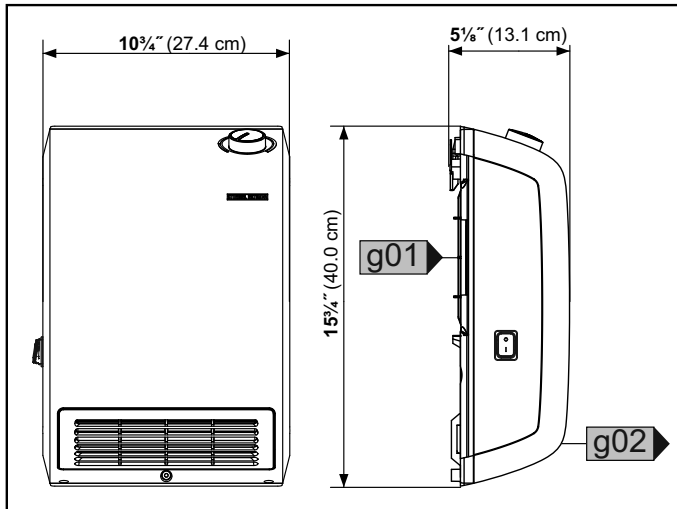
MATERIAL LOSSES:

The spare parts may only be replaced (for example if damaged) by a qualified contractor, using an original Stiebel Eltron spare part.

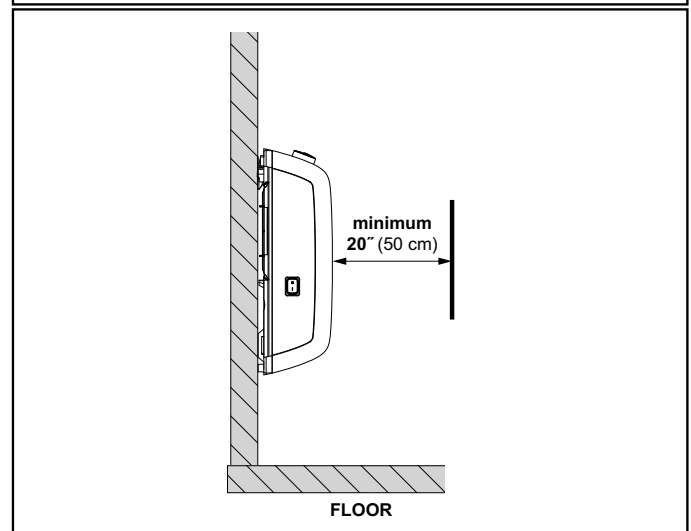
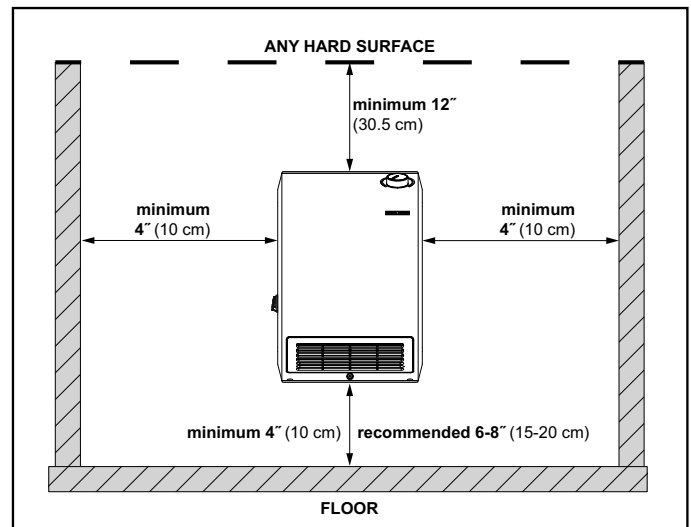
INSTALLATION Specification

14. Specification

14.1 Dimensions and connections



14.2 Minimum clearances to hard surfaces



- ▶ The images above show minimum allowed clearances between the installed heater and any hard surfaces.
- ▶ We recommend installing the heater 6-8" (15-20 cm) off the floor.

CAUTION: Injury
Maintain the minimum clearances.

- CK 150-1 Trend / CK 200-2 Trend
- g01 Air intake
 - g02 Air discharge
 - g03 Strain relief clamp / cable entry

INSTALLATION Specification



NOTE:

The dust filter is 10⁷/₈" (27.5 cm) wide. To enable removal of the dust filter as described (See 6, "Cleaning, care and maintenance", pg. 4), maintain a sufficiently large clearance at the side. If you have installed the heater in a recess, detach the heater from the wall mounting bracket before removing the dust filter.



WARNING: Fire

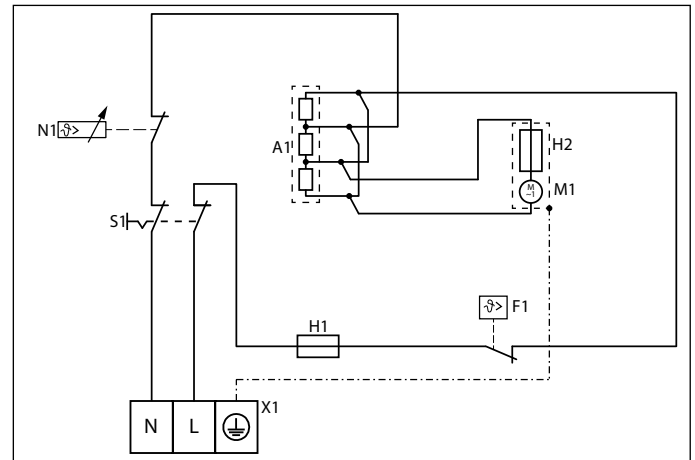
Combustible materials such as furniture, papers, clothes and curtains must be kept at least 3 feet (0.9 m) from the heater.

Never place any flammable, combustible or insulating objects or materials, such as laundry, blankets, magazines, containers with floor polish or gasoline, spray cans or similar on the heater or in direct proximity to it.

14.3 Data table

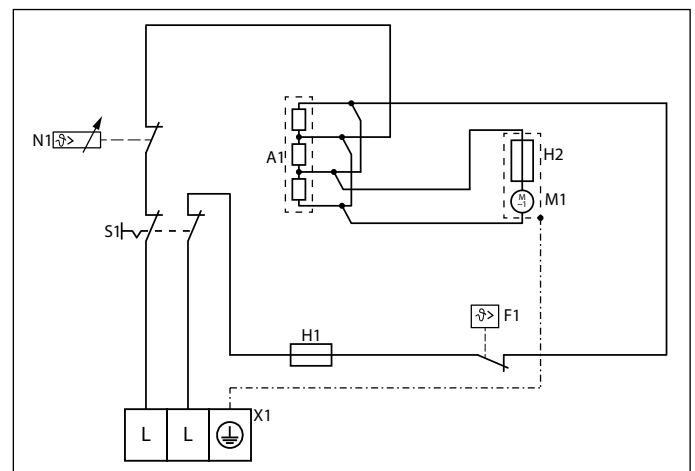
	CK 150-1 Trend	CK 200-2 Trend
Part number	236304	236305
Electrical data		
Phase/Frequency	1 - 60 Hz	
Heating Capacity	1500 W	2000 W 1800 W
Rated voltage	120 V	240 V 208 V
Amperage	12.5 A	8.3 A 8.7 A
Required wire size (copper)	14 AWG	
Dimensions		
Height	15 ³ / ₄ " (40.0 cm)	
Width	10 ⁷ / ₈ " (27.5 cm)	
Depth	5 ¹ / ₈ " (13.1 cm)	
Weights		
Weight	5.5 lbs (2.5 kg)	
Miscellaneous		
Frost protection setting	45°F (7°C)	
Color	Traffic white, RAL 9016	
Setting range	45-95°F (7-35°C)	
Operating noise	49 dB(A)	

14.4 Wiring diagram CK 150-1 Trend



- A1 Heating element assembly
- F1 High temperature limiter
- H1 Fusible link
- H2 Fusible link
- M1 Fan motor
- N1 Thermostat
- S1 On/off switch
- X1 Wiring block

14.5 Wiring diagram CK 200-2 Trend



- A1 Heating element assembly
- F1 High temperature limiter
- H1 Fusible link
- H2 Fusible link
- M1 Fan motor
- N1 Thermostat
- S1 On/off switch
- X1 Wiring block

15. Warranty

LIMITED WARRANTY

Subject to the terms and conditions set forth in this limited warranty, Stiebel Eltron, Inc. (the "Manufacturer") hereby warrants to the original purchaser (the "Owner") that each Electric Space Heater (the "Heater") shall be free of defects in the Manufacturer's materials or workmanship for a period of three (3) years from the date of purchase. As Owner's sole and exclusive remedy for breach of the above warranty, Manufacturer shall, at the Manufacturer's discretion, send replacement parts for local repair; retrieve the unit for factory repair, or replace the defective Heater with a replacement unit with comparable operating features. Manufacturer's maximum liability under all circumstances shall be limited to the Owner's purchase price for the Heater.

This limited warranty shall be the exclusive warranty made by the Manufacturer and is made in lieu of all other warranties, express or implied, whether written or oral, including, but not limited to warranties of merchantability and fitness for a particular purpose. Manufacturer shall not be liable for incidental, consequential or contingent damages or expenses arising directly or indirectly from any defect in the Heater or the use of the Heater. Manufacturer shall not be liable for any damage to property of Owner arising, directly or indirectly, from any defect in the Heater or the use of the Heater. Manufacturer alone is authorized to make all warranties on Manufacturer's behalf and no statement, warranty or guarantee made by any other party shall be binding on Manufacturer.

Manufacturer shall not be liable for any damage whatsoever relating to or caused by:

1. any misuse or neglect of the Heater, any accident to the Heater, any alteration of the Heater, or any other unintended use;
2. acts of God and circumstances over which Manufacturer has no control;

3. installation of the Heater other than as directed by Manufacturer and other than in accordance with applicable building codes;
4. failure to maintain the Heater or to operate the Heater in accordance with the Manufacturer's specifications;
5. improper installation and/or improper materials used by any installer and not relating to defects in parts or workmanship of Manufacturer;
6. moving the Heater from its original place of installation;
7. use on improper voltage or current;
8. disassembly, repair, or alteration by anyone other than the manufacturer.

Should owner wish to return the Heater to manufacturer for repair or replacement under this warranty, Owner must first secure written authorization from Manufacturer. Owner shall demonstrate proof of purchase, including a purchase date, and shall be responsible for all removal and transportation costs. If Owner cannot demonstrate a purchase date this warranty shall be limited to the period beginning from the date of manufacture stamped on the Heater. Manufacturer reserves the right to deny warranty coverage upon Manufacturer's examination of Heater. This warranty is restricted to the Owner and cannot be assigned.

Some States and Provinces do not allow the exclusion or limitation of certain warranties. In such cases, the limitations set forth herein may not apply to the Owner. In such cases this warranty shall be limited to the shortest period and lowest damage amounts allowed by law. This warranty gives you specific legal rights and you may also have other rights which vary from State to State or Province to Province.

Owner shall be responsible for all labor and other charges incurred in the removal or repair of the Heater in the field.



The installation, electrical connection and first operation of this appliance should be carried out by a qualified installer.



The company does not accept liability for failure of any goods supplied which have not been installed and operated in accordance with the manufacturer's instructions.

This Warranty is valid for U.S.A. & Canada only. Warranties may vary by country. Please consult your local Stiebel Eltron Representative for the Warranty for your country.

Environment and recycling

Please help us to protect the environment by disposing of the packaging in accordance with the national regulations for waste processing.

OPERACIÓN

1.	INSTRUCCIONES IMPORTANTES	11
1.1	Información del documento	11
1.2	Indicaciones de seguridad	11
1.3	Otras marcas presentes en esta documentación	12
2.	Seguridad	12
2.1	Uso previsto	12
2.2	Información de seguridad	12
2.3	Autorizaciones	13
2.4	Sello de certificación	13
3.	Registre su producto	13
4.	Descripción del aparato	13
5.	Configuración	13
6.	Limpieza, conservación y mantenimiento	13
7.	Almacenaje	14
8.	Solución de problemas	14

INSTALACIÓN

9.	Seguridad	14
9.1	Indicaciones generales de seguridad	14
9.2	Directivas, normas y disposiciones	14
10.	Descripción del aparato	14
10.1	Envío estándar	15
11.	Instalación	15
11.1	Montaje	15
11.2	Instalación del artefacto	15
11.3	Conexión eléctrica	16
11.4	Bloque de terminales	16
12.	Entrega del aparato a terceras personas	16
13.	Mantenimiento	16
14.	Especificaciones técnicas	17
14.1	Medidas	17
14.2	Distancias mínimas	17
14.3	Tabla de especificaciones	18
14.4	Plano eléctrico CK 150-1 Trend	18
14.5	Plano eléctrico CK 200-2 Trend	18
15.	Garantía	19

OPERACIÓN

1. INSTRUCCIONES IMPORTANTES

Siempre que se utilizan artefactos eléctricos, se deben tomar precauciones básicas para reducir los riesgos de incendio, shock eléctrico y lesiones personales, incluyendo las siguientes:

- 1 Lea todas las instrucciones antes de instalar o utilizar el calefactor.
- 2 Para reducir el riesgo de incendio, no guarde ni utilice gasolina ni otros vapores y líquidos inflamables cerca del calefactor.
- 3 El calefactor se calienta cuando está funcionando. Para prevenir quemaduras, evite que la piel desnuda entre en contacto con las superficies calientes. Mantenga materiales combustibles, tales como muebles, almohadas, ropa de cama, papeles, ropa, etc. y cortinas a una distancia de al menos 0.9 m (3 pies) del frente del calefactor, y a una distancia de al menos 0.9 m (3 pies) de los laterales y la parte posterior del artefacto.
- 4 Se deben tomar precauciones extremas cuando cualquier calefactor es utilizado por o cerca de niños o personas discapacitadas y cuando el calefactor se deja funcionando y sin vigilancia.
- 5 No utilice ningún calefactor que haya tenido un funcionamiento defectuoso. Desconecte la energía del panel de servicio y haga que un electricista confiable lo revise antes de reutilizarlo.

1.1 Información del documento

El capítulo **Operación** está destinado a usuarios y técnicos en calefacción.

El capítulo **Instalación** está destinado a técnicos en calefacción.



INDICACIÓN:

Lea las instrucciones cuidadosamente antes de utilizar el artefacto y guárdelas para consultas futuras. Pásele las instrucciones a cualquier nuevo usuario.

1.2 Indicaciones de seguridad

1.2.1 Estructura de las instrucciones de seguridad



ADVERTENCIA: Tipo de peligro

A continuación se indican algunas de las posibles consecuencias ante el desobedecimiento de las instrucciones de seguridad.

A continuación se proporcionan medidas para evitar el peligro.

OPERACIÓN

Seguridad

1.2.2 Símbolos, tipo de peligro

Símbolo	Tipo de peligro
	Lesión
	Electrocución
	Quemadura o escaldamiento
	Incendio

1.3 Otras marcas presentes en esta documentación



INDICACIÓN:

Las indicaciones están delimitadas por líneas horizontales sobre y debajo del mensaje de texto. Las indicaciones generales se señalizan mediante el símbolo adyacente.

► Lea atentamente las indicaciones.

Símbolo	Significado
	Daños a aparatos y daños medioambientales
	Eliminación del aparato
	No tape el equipo

► Este símbolo indica que Usted tiene que realizar una acción. Las acciones necesarias se describen paso a paso.

2. Seguridad

Observe las siguientes indicaciones de seguridad y prescripciones.

El equipo sólo debe utilizarse después de haber sido instalado completamente y con todos los dispositivos de seguridad.

2.1 Uso previsto

Este aparato está diseñado para calentar espacios de estar interiores.

Cualquier otro uso diferente del descrito será considerado inapropiado. El cumplimiento de estas instrucciones es también parte del uso correcto de este artefacto. Cualquier modificación o transformación del artefacto invalida todos los derechos de garantía.

2.2 Información de seguridad

Utilice el artefacto solamente una vez que se encuentra completamente instalado y con todos los dispositivos de seguridad colocados.

El calentador de agua debe instalarse correctamente antes de su uso.



PELIGRO: Electrocución

Antes de la limpieza, asegúrese de que la corriente esté desconectada en el panel del interruptor y de que el elemento de calentamiento del calentador esté frío.



PELIGRO: Incendio

No ponga en funcionamiento el aparato ...

- si no se respetan las distancias mínimas con respecto a otros objetos limítrofes como, por ejemplo, muebles, cortinas y otros textiles o materiales inflamables (Ver 14.2, "Distancias mínimas" pág. 17).
- si las habitaciones corren peligro de incendio o de explosión debido a la presencia de sustancias químicas, gases o vapores.
- si se encuentra colocado cerca de tuberías o depósitos que contienen o conducen sustancias inflamables o explosivas.
- si en la habitación de colocación se están realizando trabajos de instalación, mecanizado o sellado.
- si se manipulan sprays de gasolina, encáusticos o productos similares ventile suficientemente la habitación antes de calentar.
- si un componente del aparato presenta daños, si el aparato ha caído o si existió anteriormente un mal funcionamiento.
- al aire libre.



PELIGRO: Incendio

Sobre el aparato o cerca de él no se pueden depositar objetos combustibles, inflamables o aislantes térmicos, tales como piezas de ropa, mantas, periódicos, depósitos con encáusticos o gasolina, botes de spray o similares.



PELIGRO: Incendio

Asegúrese de que en las aberturas de entrada y salida de aire no entren cuerpos extraños, ya que esto podría causar una descarga eléctrica, un incendio o daños en el aparato.



PELIGRO: Incendio

Para evitar incendios, asegúrese de no bloquear las aberturas de entrada y salida de aire. No utilice el aparato nunca sobre superficies blandas, como por ejemplo sobre una cama, ya que esto podría bloquear las aberturas.



CUIDADO: Quemaduras

Las superficies de la carcasa del equipo y el aire que sale de éste se calientan mucho durante el funcionamiento (más de 90 °C (194 °F)). Para evitar quemaduras, procure que la piel no entre en contacto con las superficies calientes.



DAÑOS A APARATOS Y DAÑOS MEDIOAMBIENTALES:

No cubra el aparato.
No se suba al aparato.

OPERACIÓN

Registre su producto

2.3 Autorizaciones

- UL Std. 2021 (EE.UU.)
- CSA Std. 22.2 No. 46 (Canadá)

2.4 Sello de certificación

Véase placa de especificaciones en el aparato.

3. Registre su producto



Debe registrar este producto en un plazo de 90 días desde la compra a través de nuestra página web para activar cualquier garantía estándar o para optar a la ampliación de la garantía. Visite nuestra página web www.stiebel-eltron-usa.com y haga clic en "Registre su producto".

Antes de comenzar el proceso de registro, le sugerimos que recopile la siguiente información que necesitará:

Modelo (Ejemplo: CK 200-2 Trend): _____

Número que se indica después de "Nr." _____

Lugar de compra: _____

Fecha de compra: _____

Nombre y apellido: _____

Dirección de email: _____

Dirección postal: _____

Número de teléfono: _____

Si tiene alguna pregunta en relación con el proceso de registro o con las opciones de garantía, por favor, póngase en contacto directamente con Stiebel Eltron USA en el número de teléfono (800)-582-8423.

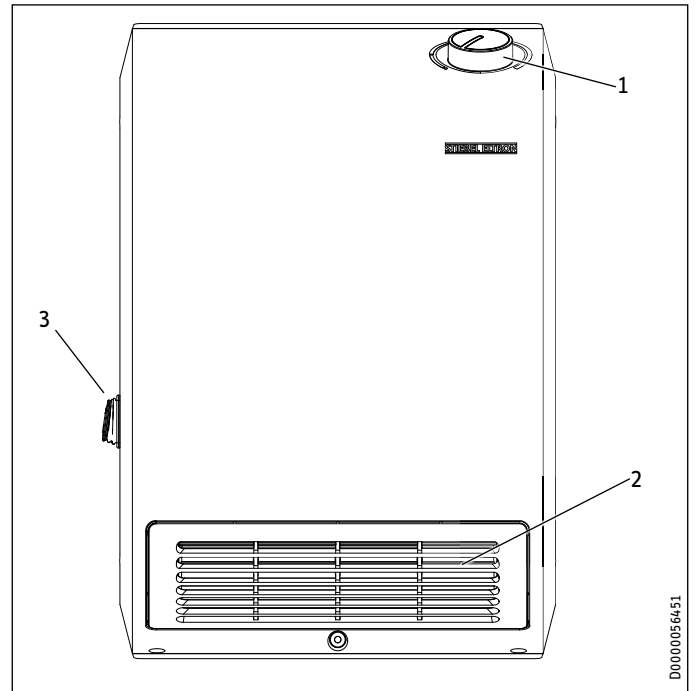
4. Descripción del aparato

El aparato es un calefactor eléctrico directo para montarse en la pared. Es adecuado para utilizar en áreas como espacios de trabajo, cocinas, baños y demás.

El aparato calienta el aire interior y lo mantiene a la temperatura seleccionada. El aparato incluye un abanico que aspira aire interior a través de una entrada de aire en la parte trasera del aparato. Dentro del aparato, el aire de la entrada se envía por un elemento calefactor PTC. El aire calentado se expulsa a través de la salida de aire en la parte delantera del aparato. Cuando se ha alcanzado la temperatura ambiente seleccionada, el aparato la mantiene mediante una serie de calentamientos y enfriamientos.

El aparato está equipado con una desconexión de seguridad que apaga el aparato en caso de que este se sobrecaliente. Una vez que se haya eliminado la causa de la falla, el aparato vuelve a encenderse dentro de pocos minutos (periodo de enfriamiento).

El aparato está equipado con protección contra sobrecalentamiento adicional en forma de un fusible que apaga el aparato de modo irreversible en caso de sobrecalentamiento grave.



- 1 Selector de temperatura
- 2 Salida de aire
- 3 Interruptor basculante on/off

5. Configuración

En el lado izquierdo de la unidad, hay un interruptor basculante que controla la operación. En la posición de encendido, la unidad se podría encender si el termostato pide calor. En la posición de apagado, la unidad no funciona.

La temperatura ambiental requerida puede ajustarse de forma continua mediante el selector de temperatura.

Para apagar el aparato, desconecta el interruptor de circuito del aparato.

Protección en contra de la escarcha

Para usar el aparato solo para proteger de la escarcha, gira el selector de temperatura en contra de las manecillas del reloj hasta el máximo. En esta posición, el aparato calienta de forma automática si la temperatura ambiental cae debajo de la temperatura de protección contra la escarcha (Ver 14.3, "Tabla de especificaciones" pág. 18).

6. Limpieza, conservación y mantenimiento



PELIGRO: Electrocutación

Antes de comenzar a limpiar, asegúrese que se ha desconectado la energía en el panel del circuito disyuntor y que el elemento calentador del calefactor este frío.

Limpia el exterior del aparato cuando esté frío con productos de limpieza ordinarios. Evite los productos de limpieza abrasivos y corrosivos.

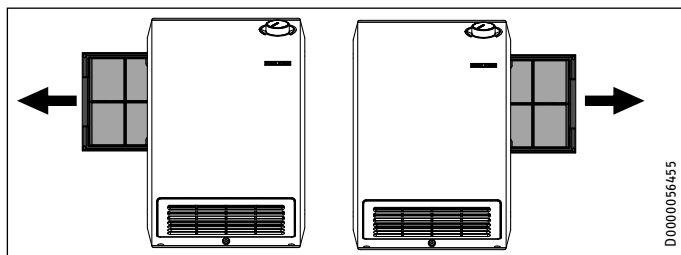
Si aparece una decoloración clara con tintes marrones en la carcasa del artefacto, límpiela tan pronto como sea posible con un paño húmedo.



DAÑOS A APARATOS Y DAÑOS MEDIOAMBIENTALES:
Nunca rocíe aerosol de limpieza en la ranura del aire.

Limpieza del filtro de polvo

- Limpia el filtro de polvo periódicamente. El filtro de polvo se puede retirar de cualquiera de los dos lados del aparato. Podrías necesitar desconectar el aparato del soporte de montaje a la pared de antemano (Ver 11.1, "Montaje" pág. 15).



7. Almacenaje

- ▶ Cuando el aparato esté fuera de uso, guárdelo en un lugar seco.

8. Solución de problemas

Problema	Causa	Solución
El aparato no cumple con la potencia de calefacción requerida.	El filtro de polvo está muy sucio.	Verifica y si es necesario, limpia el filtro de polvo.
El aparato no se calienta.	La temperatura se ha puesto muy baja en el aparato.	Verifica la temperatura puesta en el aparato.
	El fusible o el interruptor de seguridad se ha fundido/saltado.	Verifica el interruptor de circuitos en tu panel de distribución.
	Sobrecalentamiento. La desconexión de seguridad ha respondido.	Elimina la causa (sucio u obstrucciones en la entrada o salida de aire). La seguridad volverá a funcionar automáticamente.
	El fusible se ha fundido.	El aparato no se puede encender de nuevo. Comuníquese con Stiebel Eltron.

Si no puede solucionar la causa, llame al instalador. Para poder ayudarle mejor y con mayor agilidad, indique el número de la placa de modelo (000000-0000-000000).

GUARDE ESTAS INSTRUCCIONES

INSTALACIÓN

9. Seguridad

El mantenimiento y la reparación del aparato sólo puede ser realizado por un técnico del servicio postventa.

9.1 Indicaciones generales de seguridad

Sólo garantizamos una funcionalidad y seguridad de funcionamiento perfectas si se utilizan accesorios y piezas de repuesto originales previstos para el aparato.

9.2 Directivas, normas y disposiciones



INDICACIÓN:

Tenga presentes todos los reglamentos y disposiciones nacionales y regionales.

- Coloque el aparato de forma que los dispositivos de conmutación y regulación no puedan entrar en contacto con la persona que se encuentre en la bañera o bajo la ducha.
- Todo el trabajo de conexión e instalación eléctrica debe llevarse a cabo según las reglas de su empresa de servicio de luz y regulaciones nacionales y locales relevantes.
- Solo monte el aparato sobre una pared vertical que resista una temperatura de por lo menos 90°C (194°F).
- Mantenga las distancias mínimas respecto a las superficies de los objetos colindantes (Ver 14.2, "Distancias mínimas" pág. 17).
- Asegúrese de que los cables que conduzcan al aparato sean del calibre adecuado.
- Monte el aparato a no menos de 10 cm (4") de un enchufe.
- No puede colocar el aparato inmediatamente debajo de una toma de corriente de pared.
- En caso de instalar el aparato en habitaciones con bañera y/o ducha, tenga en cuenta el área de protección en concordancia con las indicaciones en la placa de especificaciones del aparato.
- Observe la placa de especificaciones. La tensión indicada debe coincidir con la tensión eléctrica disponible.

10. Descripción del aparato

El equipo es un aparato eléctrico de calefacción directa, que es fijado a la pared. El aparato es muy apto para calentar habitaciones como p. ej. cuartos de trabajo, cocinas, baños, lavabos etc.



PELIGRO: Incendio

Un calefactor contiene partes que forman arcos eléctricos o emiten chispas en su interior. No lo utilice en áreas donde se use se guarde gasolina, pintura o vapores o líquidos inflamables.

INSTALACIÓN

Instalación

10.1 Envío estándar

Con el dispositivo se entregan los siguientes accesorios:

- Soporte para montaje en pared

11. Instalación



PELIGRO: Electrocución

En caso de instalar el aparato en habitaciones con bañera y/o ducha, tenga en cuenta el área de protección en concordancia con las indicaciones en la placa de especificaciones del aparato.

Coloque el aparato de forma que los dispositivos de conmutación y regulación no puedan entrar en contacto con la persona que se encuentre en la bañera o bajo la ducha.



PELIGRO: Incendio

El aparato solo puede ser colocado a una pared vertical y resistente a temperaturas de 90°C (194°F) como mínimo.

Mantenga las distancias mínimas respecto a las superficies de los objetos colindantes.

No puede colocar el aparato inmediatamente debajo de una toma de corriente de pared.

11.1 Montaje



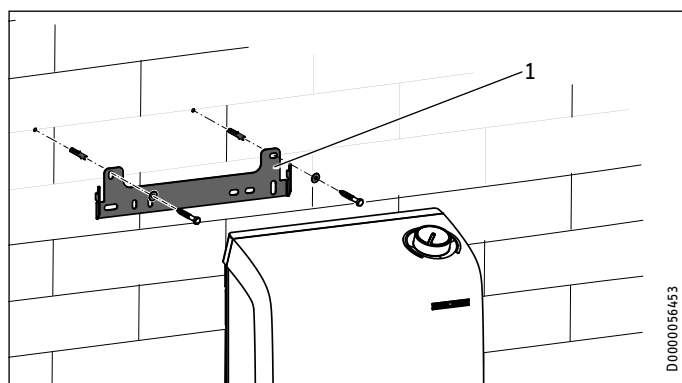
INDICACIÓN:

Sujeta el soporte de montaje a la pared con el interruptor de lengüeta apuntando hacia arriba.



INDICACIÓN:

Utilice materiales de fijación adecuados.



1 Soporte para montaje en pared

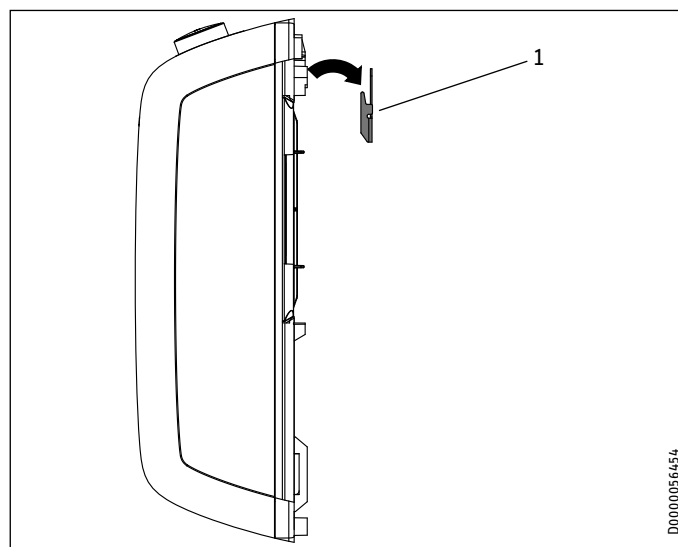
- ▶ Marca las perforaciones que se taladrarán en la pared para el soporte de montaje. Utiliza el soporte de montaje en la pared como plantilla para este propósito.
- ▶ Taladre las perforaciones.
- ▶ Sujeta el soporte de montaje a la pared de manera horizontal con tacos y tornillos adecuados.



INDICACIÓN:

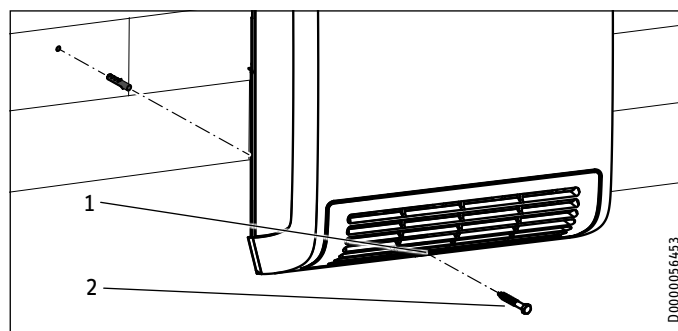
Las ranuras horizontales y verticales posibilitan un ajuste en caso de que los agujeros de fijación no estén precisamente donde deben estar.

11.2 Instalación del artefacto



1 Soporte para montaje en pared

- ▶ Engancha el aparato con los huecos verticales superiores del panel trasero al soporte de montaje a la pared.



1 Orificio de paso para tornillo de bloqueo

2 Tornillo de bloqueo

- ▶ Marca las perforaciones que se taladrará para el tornillo de bloqueo. Utiliza el orificio de paso en la sección inferior de la cubierta del aparato.
- ▶ Remueve el aparato del soporte de montaje a la pared.
- ▶ Taladra la perforación para el tornillo de bloqueo. Inserte un taco apropiado.
- ▶ Cuelga el aparato como se describe en el soporte para montaje en la pared.
- ▶ Asegura el aparato con un tornillo adecuado.

INSTALACIÓN

Entrega del aparato a terceras personas

11.3 Conexión eléctrica



PELIGRO: Electrocción

Realice los trabajos de conexión e instalación eléctricos conforme a la normativa vigente.



DAÑOS A APARATOS Y DAÑOS MEDIOAMBIENTALES: Observe la placa de especificaciones. La tensión indicada debe coincidir con la tensión eléctrica disponible.

11.3.1 Conexión permanente



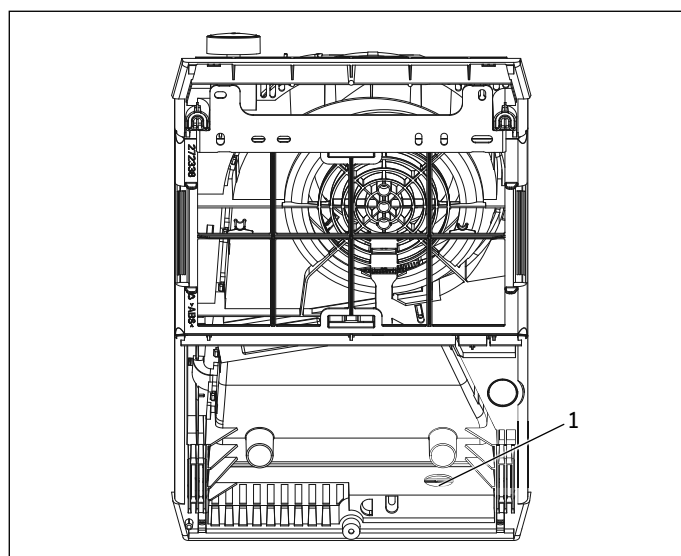
PELIGRO: Electrocción

Asegúrese de que el dispositivo puede ser separado de la fuente de alimentación por un interruptor de circuito que desconecta todos los polos.



DAÑOS A APARATOS Y DAÑOS MEDIOAMBIENTALES: El aparato es apto solo para una conexión permanente.

El cable de alimentación debe encaminarse a la parte posterior de la unidad hacia el bloque de terminales. El punto de entrada del cable se muestra en la siguiente ilustración. Instale una abrazadera de cable para evitar que el cable de alimentación sea sacado del bloque de terminales durante su funcionamiento.



1 Entrada de cable, vista trasera de la unidad

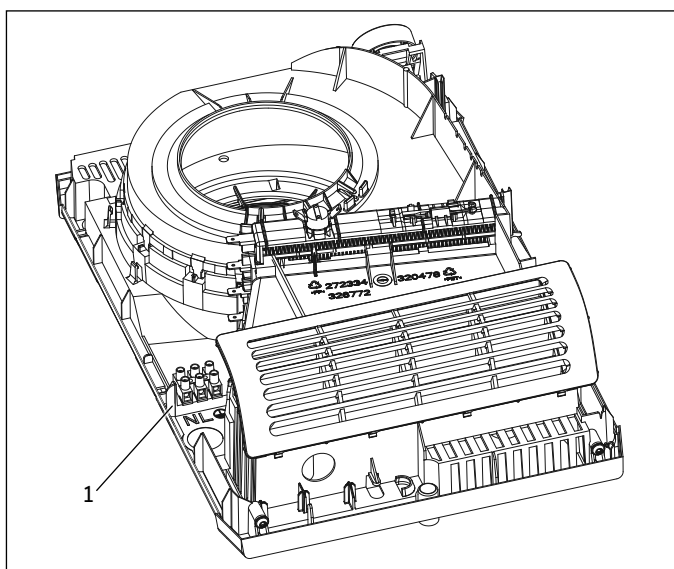
► Conecta el cable de fuente de energía permanente al bloque de terminales.

No coloque el aparato inmediatamente debajo de una toma de corriente de pared.

En caso de cable ROMEX, instale 1/2" ROMEX conector. En caso de Greenfield, utilice por favor 1/2" Greenfield conector.

11.4 Bloque de terminales

El bloque de terminales está ubicado alrededor del lateral de la unidad desde el punto de entrada del cable. Pase el cable de alimentación al bloque de terminales y asegure el cable con los tornillos.



1 Bloque de terminales

Consulte el siguiente diagrama para ver el nivel recomendado de torsión en los tornillos del bloque de terminales.

Diámetro del cable (mm)	Torsión (N•cm)	Torsión (Lbf•in)
M2	30-40	2.65-3.54

Usar las especificaciones de torsión adecuadas para fijar el cable al bloque de cableado ayuda a evitar pérdidas personales o daños a la propiedad.

12. Entrega del aparato a terceras personas

Explique al usuario las funciones del equipo. Subraye la importancia de las instrucciones de seguridad indicándoselas. Entregue al usuario el manual de operación e instalación.

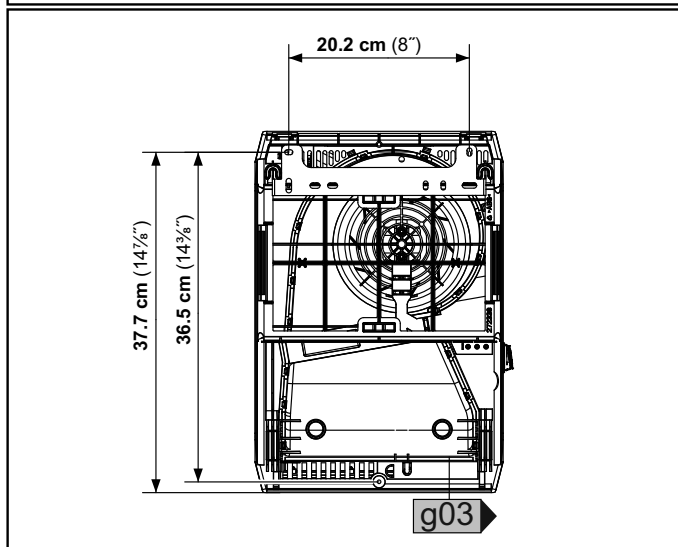
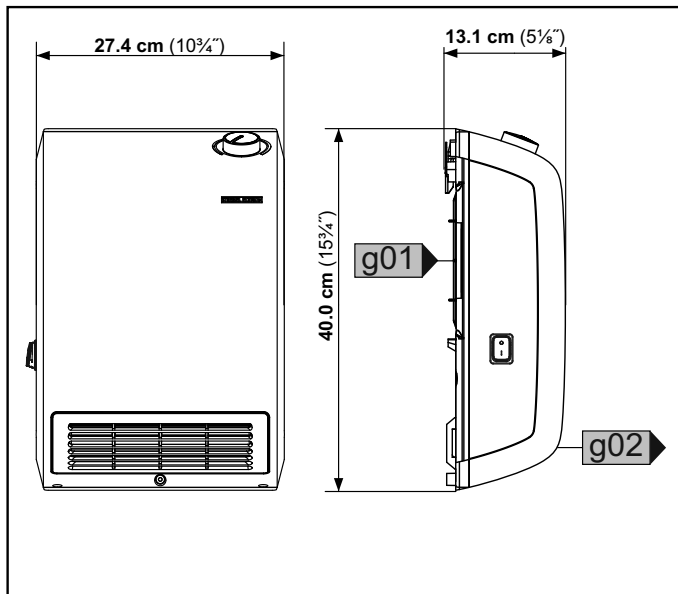
13. Mantenimiento



DAÑOS A APARATOS Y DAÑOS MEDIOAMBIENTALES: Las piezas de repuesto solo puede reemplazarlas (por ejemplo, si se dañan) un contratista cualificado, utilizando una pieza de repuesto original de Stiebel Eltron.

14. Especificaciones técnicas

14.1 Medidas



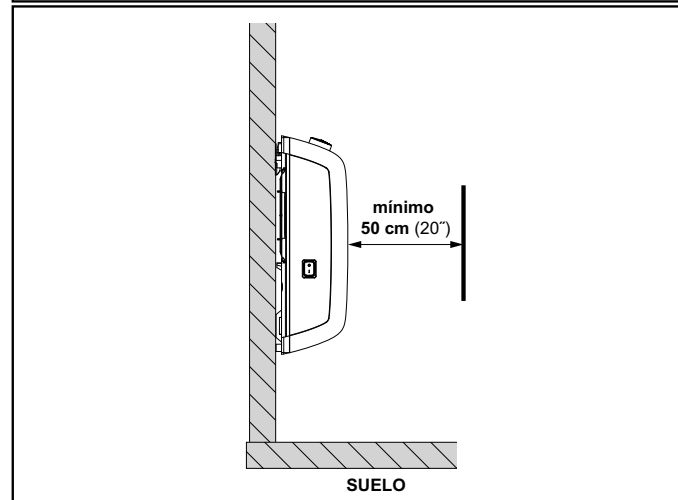
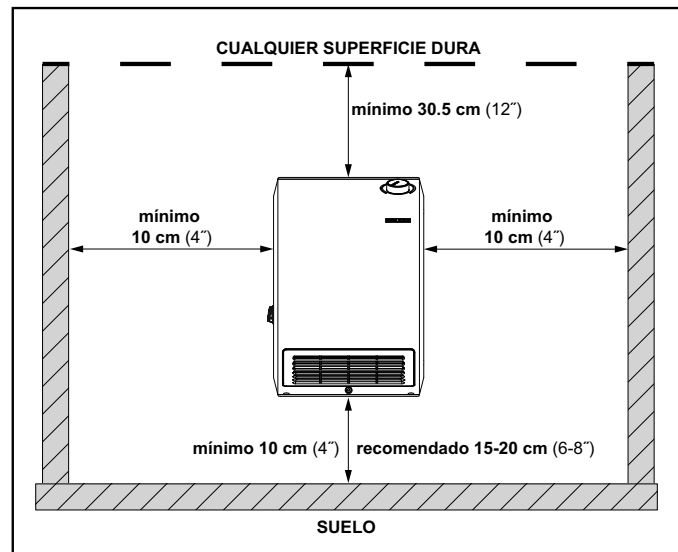
CK 150-1 Trend / CK 200-2 Trend

g01 Entrada de aire

g02 Salida de aire

g03 Entrada del cable de corriente

14.2 Distancias mínimas



- La imagen de arriba muestra las distancias mínimas permitidas entre el aparato instalado y cualquier superficies dura.
- Recomendamos que se instale el aparato a 15-20 cm (6-8") del suelo.



PELIGRO: Lesión
Mantén los márgenes mínimos.

INSTALACIÓN

Especificaciones técnicas



INDICACIÓN:

El filtro de polvo es de 275 mm (10⁷/₈" de grosor. Para posibilitar la remoción del filtro de polvo como se describe (Ver 6, "Limpieza, conservación y mantenimiento" pág. 13), mantén un margen lo suficientemente grande en el lado.



PELIGRO: Incendio

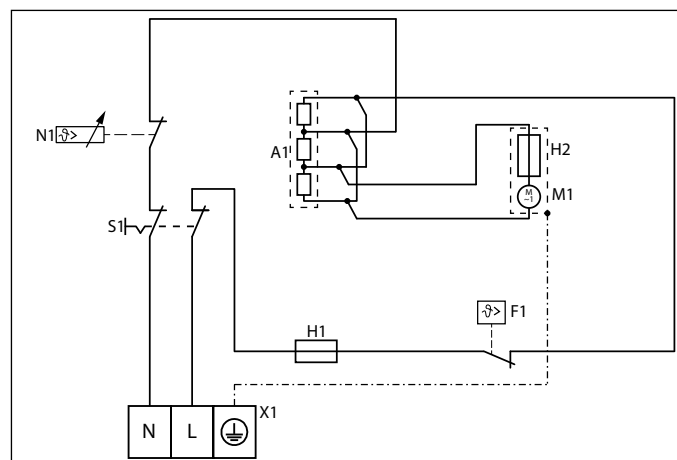
Los materiales combustibles como muebles, papeles, ropa y cortinas deben mantenerse al menos a 0.9 m (3 pies) del calentador.

Nunca coloque objetos o materiales inflamables, combustibles o aislantes, como ropa lavada, sábanas, revistas, recipientes con cera para pisos o gasolina, aerosoles u objetos similares sobre el artefacto o en cercanía directa a él.

14.3 Tabla de especificaciones

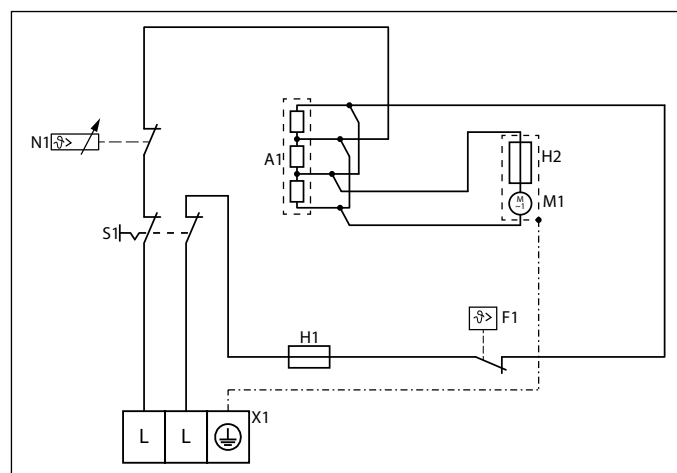
	CK 150-1 Trend	CK 200-2 Trend
Número de pedido	236304	236305
Especificaciones eléctricas		
Fase	1 - 60 Hz	
Potencia de funcionamiento	1500 W	2000 W 1800 W
Tensión	120 V	240 V 208 V
Corriente nominal	12.5 A	8.3 A 8.7 A
Calibre de alambre	14 AWG	14 AWG
Dimensiones		
Altura	40.0 cm (15 ³ / ₄ "	
Ancho	27.5 cm (10 ⁷ / ₈ "	
Profundidad	13.1 cm (5 ¹ / ₈ "	
Peso		
Peso	2.5 kg (5.5 lbs)	
Diverso		
Posición de protección antiescarcha	7°C (45°F)	
Color	Traffic white, RAL 9016	
Rango de ajuste	7-35°C (45-95°F)	
Ruido de funcionamiento	49 dB(A)	

14.4 Plano eléctrico CK 150-1 Trend



- A1 Grupo constructivo cuerpo calefactor eléctrico
- F1 Protección sobrecalentamiento
- H1 Enlace fusible
- H2 Enlace fusible
- M1 Ventilador
- N1 Regulador de temperatura
- S1 Interruptor basculante On/Off
- X1 Bloque de terminales

14.5 Plano eléctrico CK 200-2 Trend



- A1 Grupo constructivo cuerpo calefactor eléctrico
- F1 Protección sobrecalentamiento
- H1 Enlace fusible
- H2 Enlace fusible
- M1 Ventilador
- N1 Regulador de temperatura
- S1 Interruptor basculante On/Off
- X1 Bloque de terminales

15. Garantía

GARANTÍA LIMITADA

Sujeto a los términos y condiciones expresados en esta garantía limitada, Stiebel Eltron, Inc. (el "Fabricante") por la presente asegura al comprador original (el "Propietario") que cada calentador eléctrico de ambiente (el "Calentador") estará libre de defectos en los materiales del Fabricante o la mano de obra durante un período de tres (3) años a partir de la fecha de compra. Como única y exclusiva solución para el Propietario por incumplimiento de la presente garantía, el Fabricante, a discreción del Fabricante, enviará repuestos para reparación local, recuperará la unidad para su reparación en fábrica o reemplazará el Calentador defectuoso con una unidad de reemplazo que tenga características de funcionamiento comparables. La máxima responsabilidad del Fabricante en cualquier circunstancia se limitará al precio de compra del Calentador que pagó el Propietario.

Esta garantía limitada será la única garantía que ofrece el Fabricante y reemplaza a todas las demás garantías, expresas o implícitas, escritas u orales oral, incluidas pero no limitadas las garantías de comerciabilidad y aptitud para determinado fin. El Fabricante no será responsable de daños incidentales, consecuentes o contingentes o gastos que surjan directa o indirectamente de cualquier defecto del Calentador o el uso de este. El Fabricante no será responsable de cualquier daño a la propiedad del Propietario que surja directa o indirectamente de cualquier defecto del Calentador o el uso de este. Solo el Fabricante está autorizado a ofrecer todas las garantías de parte del Fabricante y ninguna afirmación, garantía o promesa realizada por cualquier otra parte será vinculante para el Fabricante.

El Fabricante no será responsable por daños de ningún tipo relacionados u ocasionados por:

1. cualquier uso indebido o falta de cuidado del Calentador, cualquier accidente que afecte al Calentador, cualquier alteración del Calentador o cualquier otro uso incorrecto;
2. casos fortuitos o circunstancias sobre las cuales el Fabricante no tiene control;

3. instalación del del Calentador que se desvíe de las directivas del Fabricante y no observe los códigos de construcción pertinentes;
4. falta de mantenimiento del Calentador o funcionamiento del Calentador que no sea conforme a las especificaciones del Fabricante;
5. instalación defectuosa y/o uso de materiales inapropiados por parte de cualquier instalador y que no se relacionen con defectos en los repuestos o la mano de obra del Fabricante;
6. cambio del Calentador de su lugar original de instalación;
7. funcionamiento en un voltaje o corriente inapropiada;
8. desarmado, reparación o alteración por cualquier persona que no sea el Fabricante.

Si el Propietario desea devolver el Calentador al Fabricante para su reparación o reemplazo bajo los términos de esta garantía, el Propietario debe obtener primero la autorización por escrito del Fabricante. El Propietario deberá presentar una prueba de compra que incluya la fecha de compra, y será responsable de todos los costos de desinstalación y transporte. Si el Propietario no puede demostrar la fecha de compra, esta garantía se limitará al período que corre a partir de la fecha de fabricación impresa en el Calentador. El Fabricante se reserva el derecho de negar la cobertura de esta garantía después de examinar el Calentador. Esta garantía se limita al Propietario y no puede transferirse.

Algunos estados y provincias no permiten la exclusión o limitación de ciertas garantías. En tales casos, las limitaciones aquí expresadas pueden no aplicarse al Propietario. En tales casos, esta garantía se limitará al período más corto y a los importes por daños más cortos permitidos por ley. Esta garantía le otorga derechos legales específicos y puede que usted tenga otros derechos, que varían de estado y de provincia a provincia.

El Propietario será responsable de todos los costos de mano de obra y otros cargos incurridos al retirar o reparar el Calentador en su domicilio.



La instalación, conexión eléctrica y primera operación de este artefacto debe ser realizada por un instalador calificado.



La compañía no acepta responsabilidad alguna por la falla de cualquier artículo suministrado que no haya sido instalado y operado de acuerdo con las instrucciones del fabricante.

Medioambiente y reciclaje

Por favor ayúdenos a proteger el medioambiente eliminando el embalaje en concordancia con la normativa nacional para el tratamiento de residuos.

Esta Garantía solo es válida en Estados Unidos y Canadá. Las garantías pueden variar de un país a otro. Consulte a su representante de Stiebel Eltron local para conocer la Garantía correspondiente a su país.

TABLE DES MATIÈRES | UTILISATION

DIRECTIVES IMPORTANTES

UTILISATION

1.	DIRECTIVES IMPORTANTES	2
1.1	Généralités à propos de ce document	2
1.2	Consignes de sécurité	2
1.3	Autres repérages utilisés dans cette documentation	3
2.	Sécurité	3
2.1	Utilisation conforme	3
2.2	Consignes de sécurité générales	3
2.3	Homologation	4
2.4	Label de conformité	4
3.	Inscrivez votre produit	4
4.	Description de l'appareil	4
5.	Réglages	5
6.	Nettoyage, entretien et maintenance	5
7.	Stockage	5
8.	Comment remédier à un problème	5

INSTALLATION

9.	Sécurité	6
9.1	Consignes de sécurité générales	6
9.2	Prescriptions, normes et directives	6
10.	Description de l'appareil	6
10.1	Livraison normale	6
11.	Installation	6
11.1	Montage mural	6
11.2	Installation de l'appareil	7
11.3	Raccordement électrique	7
11.4	Bloc de câblage	8
12.	Remise de l'appareil	8
13.	Entretien	8
14.	Données techniques	8
14.1	Dimensions	8
14.2	Distances minimales	9
14.3	Tableau de données	9
14.4	Schéma de câblage CK 150-1 Trend	9
14.5	Schéma de câblage CK 200-2 Trend	10
15.	Garantie	11

UTILISATION

1. DIRECTIVES IMPORTANTES

Pour réduire le risque d'incendie, de choc électrique ou de blessures, respectez les directives suivantes lorsque vous utilisez des appareils électriques :

- 1 Lire toutes les instructions avant d'installer ou d'utiliser cet appareil de chauffage.
- 2 Pour réduire le risque d'incendie, veillez à ne pas stocker ni utiliser de l'essence ou d'autres liquides ou vapeurs inflammables à proximité de l'appareil de chauffage.
- 3 Cet appareil est chaud lorsqu'il est en marche. Pour éviter de vous brûler, ne touchez pas les surfaces chaudes avec la peau nue. Gardez les matériaux combustibles, comme les meubles, les coussins, la literie, le papier, les vêtements, etc. et les rideaux à au moins 0.9 m (3 pi) de distance du devant de l'appareil de chauffage et au moins à 0.9 m (3 pi) de distance latéralement et à l'arrière.
- 4 Prenez de grandes précaution lorsque tout appareil de chauffage doit être utilisé en présence ou par des enfants ou des personnes invalides, ainsi que chaque fois qu'il est laissé en marche sans surveillance.
- 5 Ne faites pas fonctionner tout appareil de chauffage qui aurait mal fonctionné préalablement. Débranchez le cordon électrique à la prise et faites examiner l'appareil par un électricien de bonne réputation avant de le réutiliser.

1.1 Généralités à propos de ce document

Le chapitre **Utilisation** est à l'attention des utilisateurs et des entrepreneurs en systèmes de chauffage.

Le chapitre **Installation** est à l'attention des entrepreneurs en systèmes de chauffage.



REMARQUE:

Lisez attentivement ces directives avant d'utiliser l'appareil puis mettez-les de côté pour référence ultérieure. Transférez ce document à toute personne qui utilisera l'appareil.

1.2 Consignes de sécurité

1.2.1 Structure des consignes de sécurité







MENTION D'AVERTISSEMENT: Nature du danger Sont indiqués ici les risques éventuellement encourus en cas de non-respect de la consigne de sécurité. Sont indiqués ici les mesures permettant de pallier au danger.

UTILISATION

Sécurité

1.2.2 Symboles, nature du danger

Symbole	Nature du danger
	Blessure
	Électrocution
	Brûlure
	Incendie




1.3 Autres repérages utilisés dans cette documentation



REMARQUE:

Les remarques sont délimitées par des lignes horizontales au-dessus et en dessous du texte. Le symbole ci-contre caractérise des remarques générales.

- Lisez attentivement les textes de remarque.

Symbole	Signification
	Endommagements de l'appareil et pollution de l'environnement
	Recyclage de l'appareil
	Ne pas couvrir l'appareil

- Ce symbole vous indique que vous devez agir. Les actions nécessaires sont décrites étape par étape.

2. Sécurité

Respectez les consignes de sécurité et les prescriptions énoncées par la suite.

N'utilisez cet appareil que s'il est complètement installé et doté de tous les dispositifs de sécurité.

2.1 Utilisation conforme

Cet appareil est conçu pour chauffer des pièces habitées en intérieur.

Tout emploi sortant de ce cadre est considéré comme non conforme.

2.2 Consignes de sécurité générales

N'utilisez l'appareil que lorsqu'il est entièrement installé avec tout l'équipement de sécurité conforme.

Le chauffe-eau doit être installé correctement avant d'être utilisée.



DANGER: Électrocution

Coupez l'alimentation électrique de l'appareil au disjoncteur avant de le nettoyer et attendez que l'élément chauffant soit refroidi.



DANGER: Incendie

N'utilisez pas l'appareil ...

- lorsque les distances minimales avec les surfaces des objets voisins (meuble, rideaux et voilages, autres textiles ou tout autre matériau inflammable) ne sont pas respectées (Voir 14.2, « Distances minimales » à la page 27).
- dans les locaux où existe un risque d'incendie ou d'explosion en raison de la présence de produits chimiques, poussières, gaz ou vapeurs.
- à proximité immédiate de câbles ou récipients susceptibles de contenir ou de transporter des matériaux inflammables ou explosibles.
- si des travaux de pose, de ponçage, de vitrification sont exécutés dans le local où l'appareil est installé.
- là où sont manipulés de l'essence, des bombes aérosols, de l'encaustique ou d'autres produits identiques. Aérer suffisamment le local avant de chauffer.
- après une chute de l'appareil, après un fonctionnement défaillant, si un composant de l'appareil est endommagé.
- à l'extérieur.



DANGER: Incendie

Ne posez pas sur l'appareil ou à proximité immédiate de celui-ci des objets ou des matériaux combustibles, inflammables ou isolants thermiques tels que linge, couvertures, journaux, récipients contenant de l'encaustique ou de l'essence, bombes aérosols et autres produits similaires.



AVERTISSEMENT: Incendie

Veillez à ce qu'aucun corps étranger ne pénètre dans les ouvertures d'entrée ou de sortie d'air. Toute pénétration d'un corps étranger dans ces ouvertures risque de provoquer une électrocution ou un incendie, ou d'endommager l'appareil.



AVERTISSEMENT: Incendie

Pour éviter tout incendie, veillez à ne jamais bloquer les ouvertures d'entrée et de sortie d'air. N'utilisez jamais l'appareil sur une surface de pose molle (lit par ex.) afin d'éviter d'obstruer les ouvertures.



ATTENTION: Brûlures

Les surfaces de l'appareil et l'air rejeté sont chauds lorsque l'appareil est en service (plus de 90 °C (194 °F)). Pour éviter des brûlures, évitez tout contact direct de la peau nue avec les surfaces chaudes.



ENDOMMAGEMENTS DE L'APPAREIL:

Ne pas couvrir pas l'appareil.
Ne montez pas sur l'appareil.

Inscrivez votre produit

2.3 Homologation

- UL Std. 2021 (U.S.A)
- CSA Std. 22.2 No. 46 (Canada)

2.4 Label de conformité

Voir la plaque signalétique sur l'appareil.

3. Inscrivez votre produit



Vous devez inscrire votre produit dans les 90 jours qui suivent la date d'achat sur notre site internet pour activer la garantie normale ou pour pouvoir réclamer la garantie prolongée, Rendez-vous à notre site internet à l'adresse suivante :
www.stiebel-eltron-usa.com et cliquez sur « Register Your Product » (inscrivez votre produit).

Avant de lancer le processus d'inscription, nous vous conseillons d'avoir à portée de main la documentation nécessaire, à savoir.

Modèle (Exemple: CK 200-2 Trend): _____

Numéro apparaissant après « Nr, »: _____

Lieu d'achat: _____

Date d'achat: _____

Prénom et nom de famille: _____

Adresse courriel: _____

Adresse postale: _____

Numéro de téléphone: _____

En cas de questions à propos du processus d'inscription ou des options pour la garantie, veuillez contacter Stiebel Eltron USA directement en composant le (800)-582-8423.

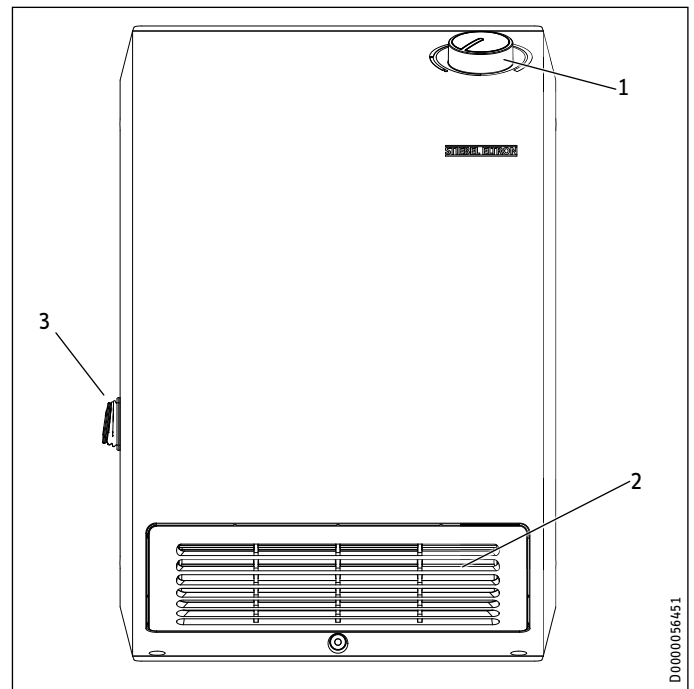
4. Description de l'appareil

L'appareil est un appareil de chauffage électrique direct mural. Il est parfait pour les endroits comme les ateliers, les cuisines, les salles de bain et autres pièces du même genre.

L'appareil chauffe l'air intérieur et le maintient à la température choisie. L'appareil est doté d'un ventilateur qui aspire l'air intérieur par le biais d'une arrivée d'air à l'arrière de l'appareil. À l'intérieur de l'appareil, l'air admis passe au-dessus d'une résistance chauffante PTC. L'air réchauffé sort ensuite par l'évacuation d'air sur le devant l'appareil. Lorsque la température sélectionnée a été atteinte, l'appareil la maintient en répétant le cycle de chauffage.

L'appareil est équipé d'un dispositif de sécurité de température élevée qui désactive l'appareil en cas de surchauffe. Une fois la cause de la défaillance éliminée, l'appareil se remet en marche dans les minutes qui suivent (période de refroidissement).

L'appareil est doté d'une protection supplémentaire contre la surchauffe sous forme d'un fusible qui désactive l'appareil de manière irréversible en cas de surchauffe importante.



- 1 Sélecteur de température
- 2 Évacuation d'air
- 3 Interrupteur à bascule on/off (marche/arrêt)

5. Réglages

À gauche de l'appareil, vous trouverez un interrupteur à bascule on/off qui commande le fonctionnement de l'appareil. En position on (marche), l'appareil peut se mettre en marche si le réglage du thermostat l'exige. En position off (arrêt), l'appareil est désactivé.

La température ambiante requise peut être réglée à l'infini par le biais du sélecteur de température.

Pour désactiver l'appareil, déconnectez le disjoncteur de l'appareil.

Protection contre le gel

Pour utiliser l'appareil uniquement aux fins de protection contre le gel, tournez le sélecteur de température à fond dans le sens antihoraire. À cette position, l'appareil chauffe automatiquement si la température ambiante passe au-dessous de la température de protection contre le gel (Voir 14.3, « Tableau de données » à la page 27).

6. Nettoyage, entretien et maintenance



DANGER: Électrocution

Avant de nettoyer, veillez à ce que l'appareil ait été désactivé au panneau du disjoncteur et que l'élément chauffant de l'appareil soit froid. Le nonrespect de cette directive pourrait entraîner des brûlures, l'électrocution, des blessures graves, voire mortelles.

Nettoyez l'extérieur de l'appareil lorsqu'il est froid avec des produits nettoyants ordinaires. Évitez les produits nettoyants abrasifs ou corrosifs.

Si des taches de couleur brune apparaissent sur l'enveloppe de l'appareil, nettoyez celles-ci avec un chiffon humide le plus tôt possible.



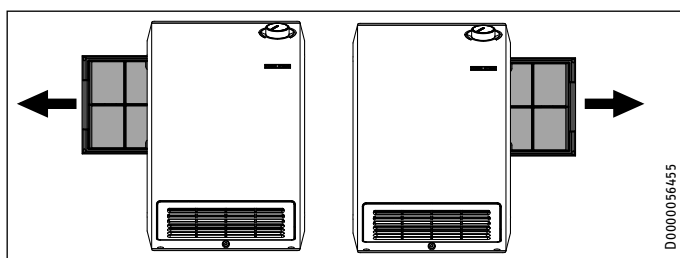
ENDOMMAGEMENTS DE L'APPAREIL:

Ne vaporisez pas de nettoyant en spray dans la fente d'aération.

Nettoyage du filtre à poussière

- Nettoyez le filtre à poussière à intervalles réguliers. Le filtre à poussière peut être retiré du côté droit ou du côté gauche de l'appareil.

Il faudra peut-être préalablement sortir l'appareil du support mural (Voir 11.1, « Montage mural » à la page 24).



7. Stockage

- Lorsque l'appareil n'est pas utilisé, rangez-le dans un endroit sec.

8. Comment remédier à un problème

Problème	Cause	Solution
L'appareil ne chauffe pas comme prévu.	Le filtre à poussière est très sale.	Inspectez le filtre à poussière et nettoyez-le, le cas échéant.
L'appareil ne chauffe pas.	La température programmée est trop basse.	Vérifiez le réglage de la température sur l'appareil.
	Le fusible ou l'interrupteur de sécurité a sauté.	Vérifiez le disjoncteur de votre panneau de distribution.
	Surchauffe. L'interrupteur de sécurité de limite supérieure a été déclenché.	Éliminez la cause de la surchauffe (saleté ou débris dans l'admission ou l'évacuation d'air). La limite supérieure se reconfigure automatiquement.
	Le fusible a sauté.	L'appareil ne peut pas redémarrer. Contactez Stiebel Eltron.

Appelez un installateur si vous ne réussissez pas à éliminer la cause. Donnez-lui le numéro indiqué sur la plaque signalétique pour qu'il puisse vous aider plus rapidement et plus efficacement (000000-0000-000000)

GARDER CES DIRECTIVES POUR RÉFÉRENCE ULTÉRIEURE

INSTALLATION

9. Sécurité

La maintenance et les réparations de cet équipement ne doivent être effectuées que par un technicien du service clientèle.

9.1 Consignes de sécurité générales

Nous ne garantissons un bon fonctionnement et en toute sécurité de l'appareil que si les accessoires et pièces de rechange d'origine sont employés.

9.2 Prescriptions, normes et directives



REMARQUE:

Tenez compte de la législation et des prescriptions nationales et locales.

- Si vous fixez l'appareil au mur, faites en sorte que l'équipement de commande ne puisse pas être touché par une personne se trouvant dans la baignoire ou dans la douche.
- Tous les travaux de branchement électrique et d'installation doivent être réalisés conformément aux règlements en vigueur gouvernant l'alimentation électrique ainsi que la législation pertinente nationale et locale.
- Ne fixez l'appareil mural que sur une cloison verticale résistant aux températures allant jusqu'à 90 °C (194°F).
- Respectez les distances minimales vis-à-vis des surfaces des objets adjacents (Voir 14.2, « Distances minimales » à la page 27).
- Veillez à ce que le câblage vers l'appareil soit d'un calibre approprié.
- Fixez l'appareil à au moins 10 cm (4 po) d'une prise murale.
- N'installez jamais l'appareil directement sous une prise murale.
- Lors de l'installation de cet appareil dans des locaux avec baignoire et/ou douche, tenez compte de la zone de protection conformément aux indications reportées sur la plaquette signalétique de l'appareil.
- Respectez les indications de la plaque signalétique. La tension spécifiée doit correspondre à la tension du secteur.

10. Description de l'appareil

Cet appareil est un appareil de chauffage électrique direct à monter au mur. Cet appareil convient particulièrement au chauffage des locaux tels que bureaux ou ateliers, cuisines, salles de bains, laveries, etc.



AVERTISSEMENT: Incendie

Un appareil de chauffage comporte des pièces chaudes et susceptibles de produire des arcs électriques ou des étincelles. Ne l'utilisez pas dans des endroits où l'on utilise ou entrepose de l'essence, de la peinture ou des liquides ou vapeurs inflammables.

10.1 Livraison normale

Les articles suivants sont livrés avec l'appareil:

- Applique murale équerre de fixation

11. Installation



DANGER: Électrocution

Lors de l'installation de cet appareil dans des locaux avec baignoire et/ou douche, tenez compte de la zone de protection conformément aux indications reportées sur la plaquette signalétique de l'appareil.

Placez l'appareil de sorte que les dispositifs de commutation et de régulation ne puissent être touchés par les personnes se trouvant dans la baignoire ou la douche.



DANGER: Incendie

L'appareil ne peut être fixé que sur une paroi verticale capable de résister au moins à une température de 90 °C (194°C).

Respectez les distances minimales d'écartement avec les surfaces des objets voisins.
N'installez pas l'appareil directement sous une prise électrique murale.

11.1 Montage mural



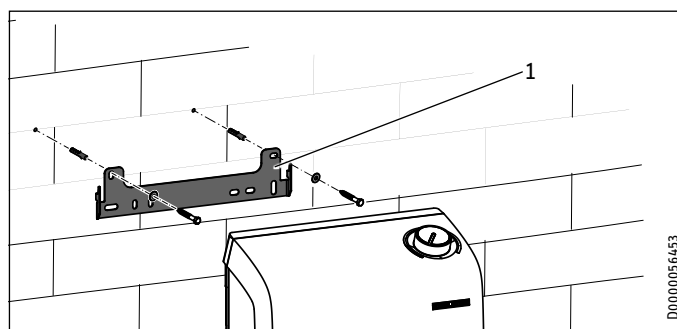
REMARQUE:

Fixez le support mural avec des découpes d'encoche dirigées vers le haut.



REMARQUE:

Utilisez des matériaux de fixation adéquats.



1 Applique murale équerre de fixation

- Faites un repère sur le mur où vous devrez percer les trous pour le support mural. Pour cela, utilisez le support mural comme gabarit.
- Percez les trous.
- Fixez le support mural horizontalement au mur à l'aide de chevilles et de vis adaptées à cet effet.



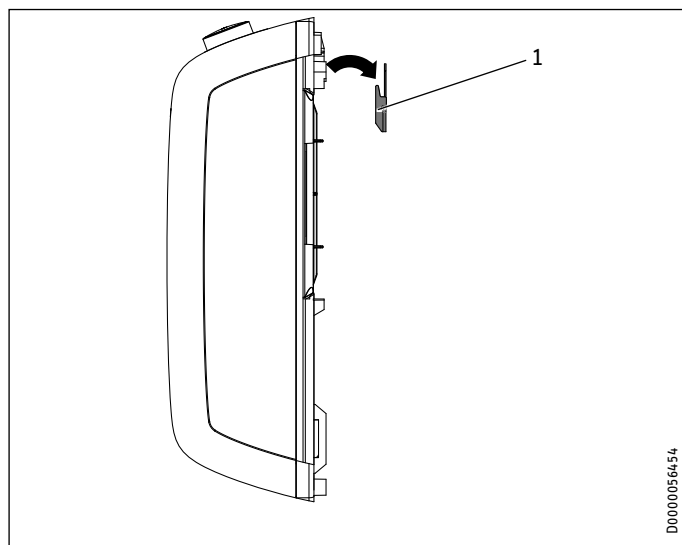
REMARQUE:

Les fentes horizontales et verticales permettent de régler la position de l'appareil au cas où les trous de fixation ne seraient pas exactement là où ils devraient se trouver.

INSTALLATION

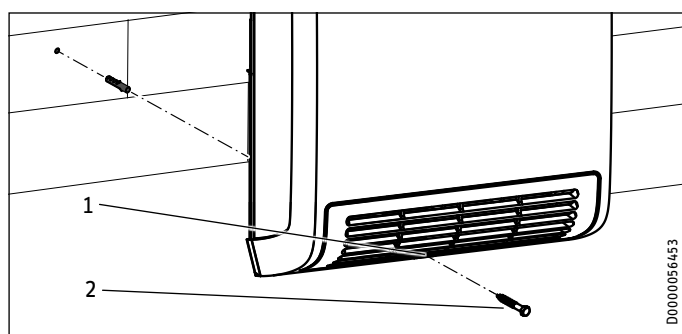
Installation

11.2 Installation de l'appareil



1 Applique murale équerre de fixation

- Accrochez l'appareil avec les renforcements supérieurs verticaux du panneau arrière posés sur le support mural.



1 Trou débouchant pour la vis de blocage

2 Vis de blocage

- Faites un repère sur le mur où vous devrez percer le trou pour la vis de blocage. Pour cela, utilisez le trou débouchant dans la section inférieure de l'enveloppe de l'appareil comme gabarit.
- Retirez l'appareil du support mural.
- Percez le trou pour la vis de blocage. Enfoncez une cheville appropriée.
- Accrochez l'appareil conformément aux instructions sur le support mural.
- Fixez l'appareil avec une vis appropriée.

11.3 Raccordement électrique



DANGER: Électrocution

Exécutez tous les travaux de raccordement et d'installation électriques suivant les prescriptions.



ENDOMMAGEMENTS DE L'APPAREIL:

Respectez les indications de la plaque signalétique. La tension spécifiée doit correspondre à la tension du secteur.

11.3.1 Connexion permanente



DANGER: Électrocution

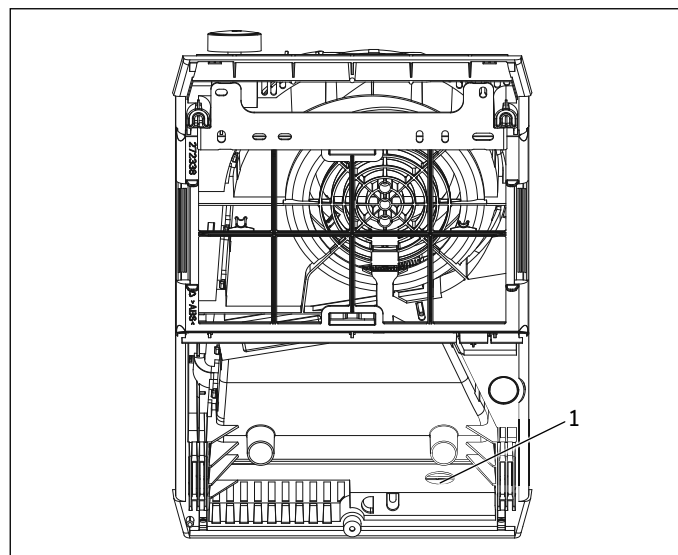
Veillez à ce que l'appareil puisse être séparé de l'alimentation électrique par un disjoncteur qui déconnecte tous les pôles.



ENDOMMAGEMENTS DE L'APPAREIL:

Pour cet appareil, seule une connexion permanente peut être envisagée.

Le câble d'alimentation doit être acheminé à l'arrière de l'unité vers le bornier. Le point d'entrée du câble est illustré dans l'illustration ci-dessous. Installez un serre-câble pour éviter que le câble d'alimentation ne sorte du bornier pendant le fonctionnement.



1 Admission des câbles électriques, vue arrière de l'unité

- Connectez de manière permanente le câble d'alimentation à la borne.

N'installez pas l'appareil directement sous une prise électrique murale.

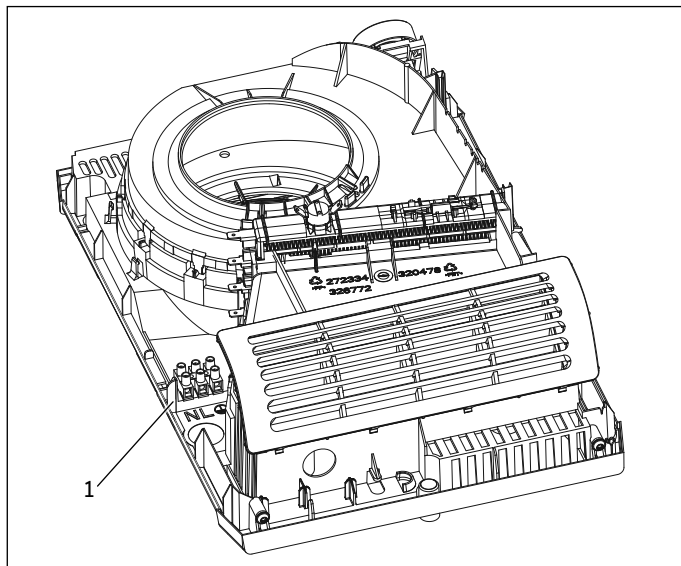
Si vous utilisez un câble de type ROMEX, installez un connecteur ROMEX de 1/2" dans l'évidement. Si vous utilisez un câble de type Greenfield, utilisez un connecteur Greenfield de 1/2".

INSTALLATION

Remise de l'appareil

11.4 Bloc de câblage

Le bornier est situé sur le côté de l'unité à partir du point d'entrée du câble. Acheminez le câble d'alimentation vers le bornier et fixez le fil à l'aide des vis.



1 Bloc de câblage

Consultez le tableau ci-dessous pour connaître la pression de serrage recommandée pour les vis de la plaque à bornes.

Diamètre de vis (mm)	Torque (N•cm)	Torque (lb•in)
M2	30-40	2.65-3.54

Utiliser la pression de serrage appropriée pour fixer les fils au bloc de câblage contribue à prévenir la perte de biens personnels et les dommages à la propriété.

12. Remise de l'appareil

Expliquez les différentes fonctions de l'appareil à l'utilisateur. Attirez particulièrement son attention sur les consignes de sécurité. Remettez les instructions d'utilisation et d'installation à l'utilisateur.

13. Entretien

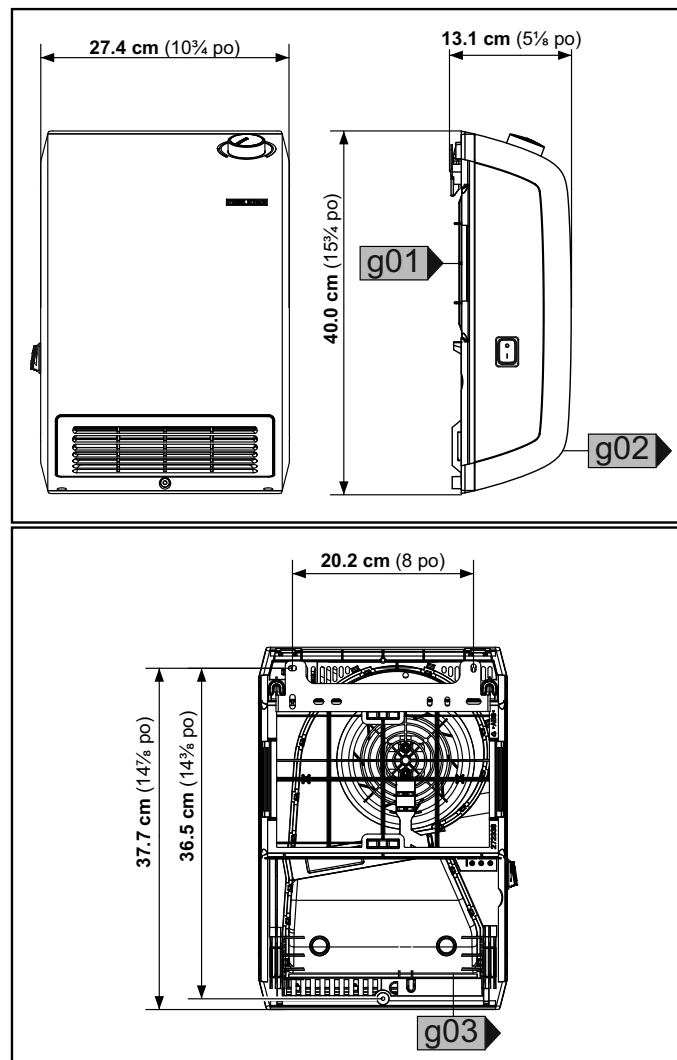


ENDOMMAGEMENTS DE L'APPAREIL:

Les pièces de rechange ne peuvent être remplacées (si elles sont endommagées par exemple) que par un technicien qualifié utilisant des pièces après-vente Stiebel Eltron.

14. Données techniques

14.1 Dimensions



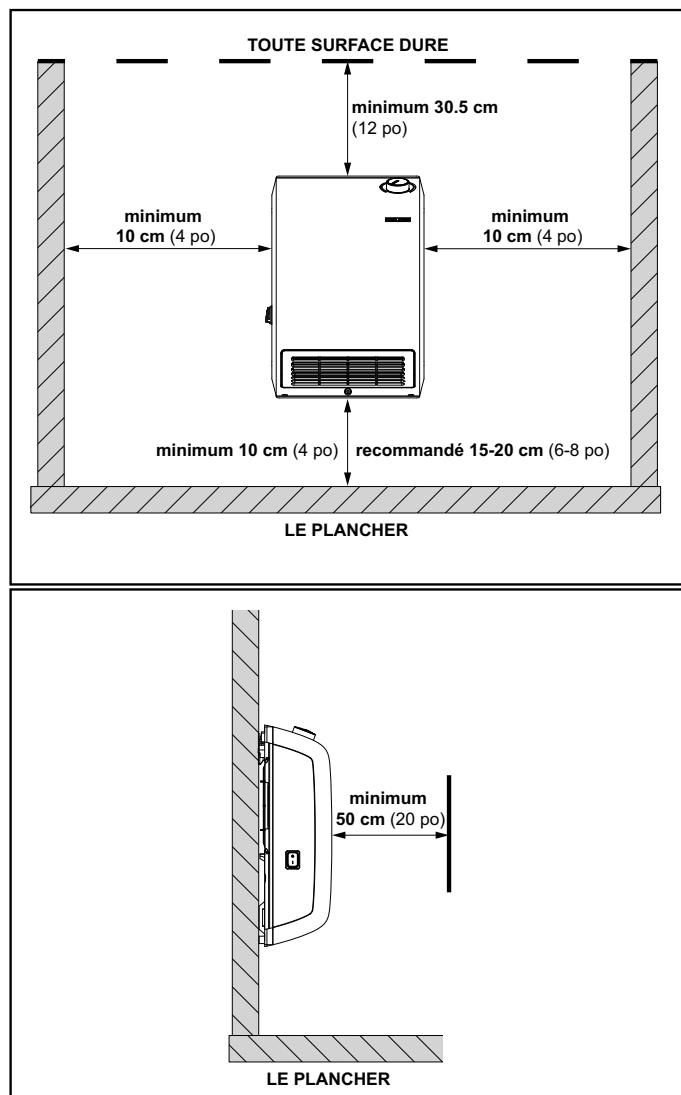
CK 150-1 Trend / CK 200-2 Trend

g01 Arrivée d'air

g02 Échappement d'air

g03 Admission des câbles électriques

14.2 Distances minimales



- L'image ci-dessus montre la distance minimale à respecter entre le convecteur et toute surface dure.
- Les objets inflammables comme les meubles, le papier, les vêtements et les rideaux doivent demeurer à plus de 90 cm (3 pieds) du convecteur.



AVERTISSEMENT: Blessure
Respectez les distances minimales.



REMARQUE:
Le filtre à poussière mesure 27.5 cm (10 7/8 po) de large. Pour faciliter le retrait du filtre à poussière conformément aux instructions (Voir 6, « Nettoyage, entretien et maintenance » à la page 23), conservez un dégagement suffisamment important sur le côté. Si cet appareil a été installé dans un renforcement, détachez l'appareil du support mural avant de retirer le filtre à poussière.

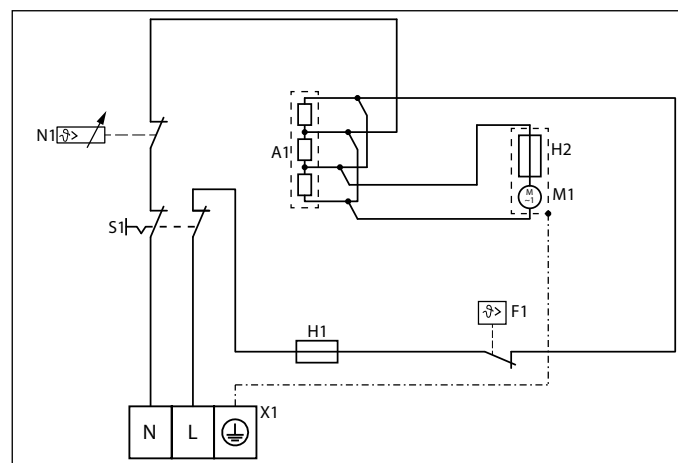


AVERTISSEMENT: Incendie
Ne placez jamais d'objets ou de matériaux inflammables ou isolants comme des draps, des serviettes, des couvertures, des magazines, des contenants de cire à parquets ou d'essence, des aérosols ou d'autres objets similaires sur l'appareil ou à proximité immédiate de celui-ci.

14.3 Tableau de données

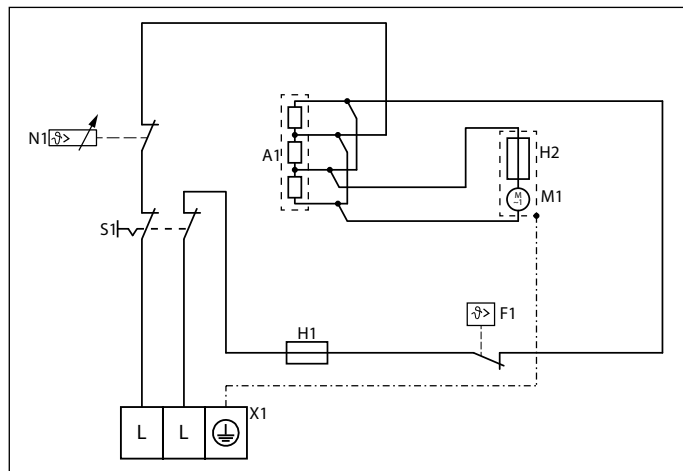
	CK 150-1 Trend	CK 200-2 Trend
Réf. commande	236304	236305
Données électriques		
Phase	1 - 60 Hz	
Puissance	1500 W	2000 W 1800 W
Tension	120 V	240 V 208 V
Ampérage	12.5 A	8.3 A 8.7 A
Taille de câble requise, cuivre	14 AWG	14 AWG
Dimensions		
Hauteur	40.0 cm (15 3/4 po)	
Largeur	27.5 cm (10 7/8 po)	
Profondeur	13.1 cm (5 1/8 po)	
Poids		
Poids	2.5 kg (5.5 lbs)	
Divers		
Protection hors gel	7°C (45°F)	
Couleur	Traffic white, RAL 9016	
Plage de réglage	7-35°C (45-95°F)	
Bruit en fonctionnement	49 dB(A)	

14.4 Schéma de câblage CK 150-1 Trend



- A1 Module élément électrique chauffant
- F1 Protection contre la surchauffe
- H1 Fusible
- H2 Fusible
- M1 Ventilateur
- N1 Thermostat
- S1 Interrupteur à bascule on/off (marche/arrêt)
- X1 Bloc de câblage

14.5 Schéma de câblage CK 200-2 Trend



- A1 Module élément électrique chauffant
- F1 Protection contre la surchauffe
- H1 Fusible
- H2 Fusible
- M1 Ventilateur
- N1 Thermostat
- S1 Interrupteur à bascule on/off (marche/arrêt)
- X1 Bloc de câblage

15. Garantie

GARANTIE LIMITÉE

Sous réserve des conditions incluses dans cette garantie limitée, Stiebel Eltron Inc. (le « Fabricant ») garantit par la présente le convecteur électrique (le « Convecteur ») au premier propriétaire (le « Propriétaire ») contre tout défaut de matériaux et de fabrication pour une période de trois (3) ans à partir de la date d'achat. Comme seule et unique compensation pour violation de la garantie susmentionnée, le Fabricant doit, à sa discrétion, envoyer des pièces de remplacement pour une réparation sur place, récupérer l'appareil pour une réparation en usine ou remplacer le Convecteur défectueux par un autre appareil aux caractéristiques comparables. En toutes circonstances, la responsabilité maximale du Fabricant est limitée au prix d'achat du Convecteur par le Propriétaire.

Cette garantie limitée est la seule garantie offerte par le Fabricant et remplace toutes les autres garanties, expresses ou implicites, écrites ou orales, y compris, sans s'y limiter, les garanties de qualité marchande et de bon fonctionnement pour un usage particulier. Le Fabricant ne sera pas tenu responsable des dommages accessoires, indirects ou éventuels ni des frais occasionnés directement ou indirectement par un défaut du Convecteur ou son utilisation. Le Fabricant ne sera pas tenu responsable des dommages causés aux biens du Propriétaire occasionnés, directement ou indirectement, par un défaut du Convecteur ou son utilisation. Seul le Fabricant est autorisé à fournir toute garantie en son nom et aucune déclaration ou garantie faite par une tierce partie n'engagent le Fabricant.

Le Fabricant ne sera pas tenu responsable des dommages, quels qu'ils soient, liés aux événements suivants ou causés par eux :

1. toute utilisation mauvaise ou négligente du Convecteur, tout accident survenant à l'appareil, toute modification y étant apportée ou tout autre usage impropre de celui-ci;
2. tout cas de force majeure et toutes circonstances sur lesquelles le Fabricant n'a aucun pouvoir;
3. toute installation du Convecteur faite de manière autre que celle recommandée par le Fabricant et non conforme aux codes du bâtiment en vigueur;

4. toute absence d'entretien du Convecteur ou négligence d'utiliser celui-ci selon les instructions du Fabricant;
5. toute installation inappropriée ou tous matériaux inappropriés utilisés par un installateur qui ne sont pas liés à un défaut de matériaux ou de fabrication du Fabricant;
6. tout déplacement du Convecteur de son emplacement d'origine;
7. toute utilisation avec une tension ou un courant inapproprié;
8. tout démontage, toute réparation ou toute modification faits par une personne autre que le fabricant.

Si le propriétaire souhaite renvoyer le Convecteur au fabricant pour réparation ou remplacement en vertu de la présente garantie, le Propriétaire doit d'abord obtenir l'autorisation écrite du Fabricant. Le propriétaire sera tenu de présenter une preuve d'achat indiquant la date de l'achat et d'acquitter tous les frais de désinstallation et de transport. Si le Propriétaire ne peut présenter une preuve de la date d'achat, la garantie sera limitée à la période commençant à la date de fabrication indiquée sur le Convecteur. Le Fabricant se réserve le droit de refuser toute couverture de la garantie après inspection du Convecteur. La présente garantie ne s'applique qu'au Propriétaire et n'est pas transférable.

Les exclusions ou les restrictions de certaines garanties sont interdites dans quelques états et provinces. Dans de tels cas, les restrictions décrites dans la présente peuvent ne pas s'appliquer au Propriétaire. Le cas échéant, cette garantie sera limitée à la période la plus courte et au montant de compensation le plus bas permis par la loi. La présente garantie assure des droits particuliers au Propriétaire; d'autres droits peuvent être prévus et varient d'un état ou d'une province à l'autre.

Le Propriétaire est responsable de tous frais, y compris ceux de main-d'œuvre, entraînés par le retrait du Convecteur ou sa réparation sur place.



L'installation, le branchement électrique et la première mise en route de cet appareil doivent être exécutés par un prestataire qualifié.



La société rejette toute responsabilité pour toute défaillance du produit livré qui n'aurait pas été installé et mis en route conformément aux directives du fabricant.

Environnement et recyclage

Veillez nous aider à protéger l'environnement en mettant les matériaux d'emballage au rebut conformément aux règlements nationaux relatifs au traitement des déchets.

Cette garantie n'est valide que pour le Canada et les États-Unis. Les garanties varient en fonction du pays. Veuillez vous adresser à votre représentant local Stiebel Eltron pour plus de détails sur la garantie s'appliquant à votre pays.

NOTES

NOTES

STIEBEL ELTRON, Inc.
17 West Street | West Hatfield MA 01088
Tel. 413-247-3380 | Fax 413-247-3369
info@stiebel-eltron-usa.com
www.stiebel-eltron-usa.com



STIEBEL ELTRON

A 328726-42176-9552