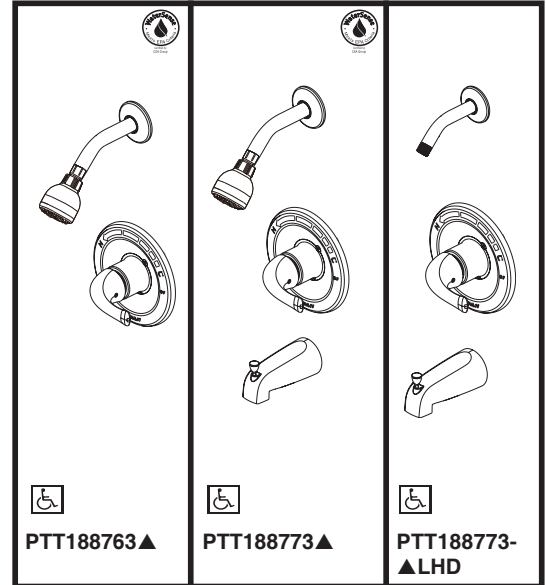
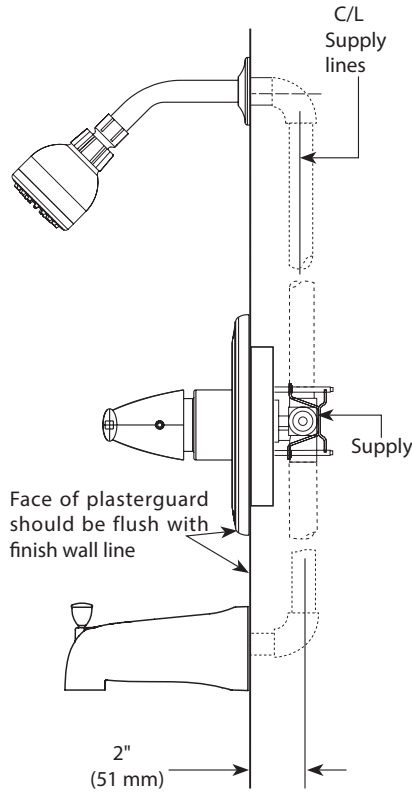
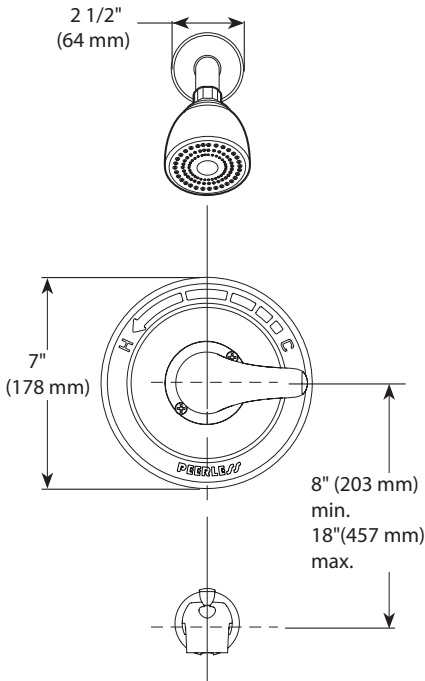


# PEERLESS®

PTT188763▲  
PTT188773▲  
PTT188773-▲LHD



## TUB AND SHOWER FAUCET

- Shower Only (PTT188763 Series)
- Tub/Shower (PTT188773 Series)

## STANDARD SPECIFICATIONS:

- Slip-on tub spout, model PTT188773 & PTT188773-LHD.
- Pressure balanced bath mixing valve.
- Tub/Shower. Requires 1 1/2" wall cavity.
- Back-to-back installation capability.
- Temperature control to rotate a maximum of 120° from full cold to the maximum temperature.
- Temperature only controlled with handle.
- "-LHD" models indicate less shower head.
- Shower head maximum flow rate is 1.5 gpm @ 80 psi, 5.7 L/min @ 550 kPa.
- For use with MultiChoice® universal rough valve body (R10000 Series); not included.

## WARRANTY:

- Lifetime limited warranty on parts (other than electronic parts and batteries) and finishes; or, for commercial users, for 5 years from the date of purchase.
- 5 year limited warranty on electronic parts (other than batteries); or for commercial users, for 1 year from the date of purchase. No warranty is provided on batteries.

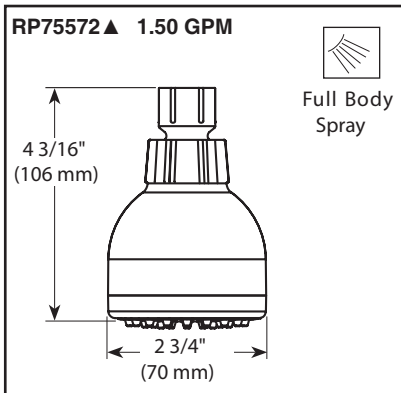
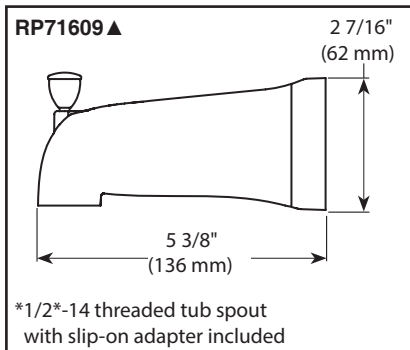
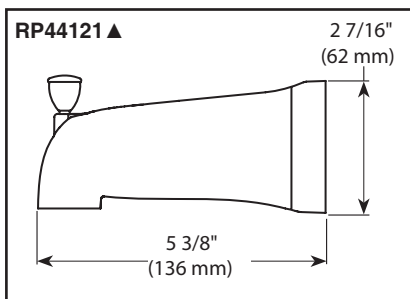


## COMPLIES WITH

- ASME A112.18.1 / CSA B125.1
- EPA WaterSense®
- ASSE 1016



Indicates compliance to ICC/ANSI A117.1 - Valve control only



▲ Designate Proper Finish Suffix