

VURSA SERIES SHOWER STALL

Oasis



48-INCH MODEL

SH-4836 (no seat)

Rough-In Dimensions

48" wide x 37-1/4" deep x 76-3/4" high (w/ 4-inch dam)

Finished Dimensions

48" wide x 36" deep x 75-1/2" high (w/ 4-inch dam)

Unit Features



- One - Piece Fiberglass Composite Construction
- Sanitary Grade Polyester Gelcoat Surface
- 3-3/8" Dia. Center Drain (see following pages)
- Twin, Elevated Corner Accessory Towers
- Generous Back Wall Shelving
- Flat Wall Design To Accommodate Grab Bar Applications
- Center, Lower Accessory Shelf With Wash Cloth Rod
- Low Profile Dam (standard)
- Textured Floor Pattern
- Balsa Wood Core Floor Structure

Special Notes

- Optional ABF Model (provides 3 Inches of drain clearance)
- Factory Applied Reinforcement Packages Available (see following pages)
- Factory Applied Bar Packages Available (see following pages)

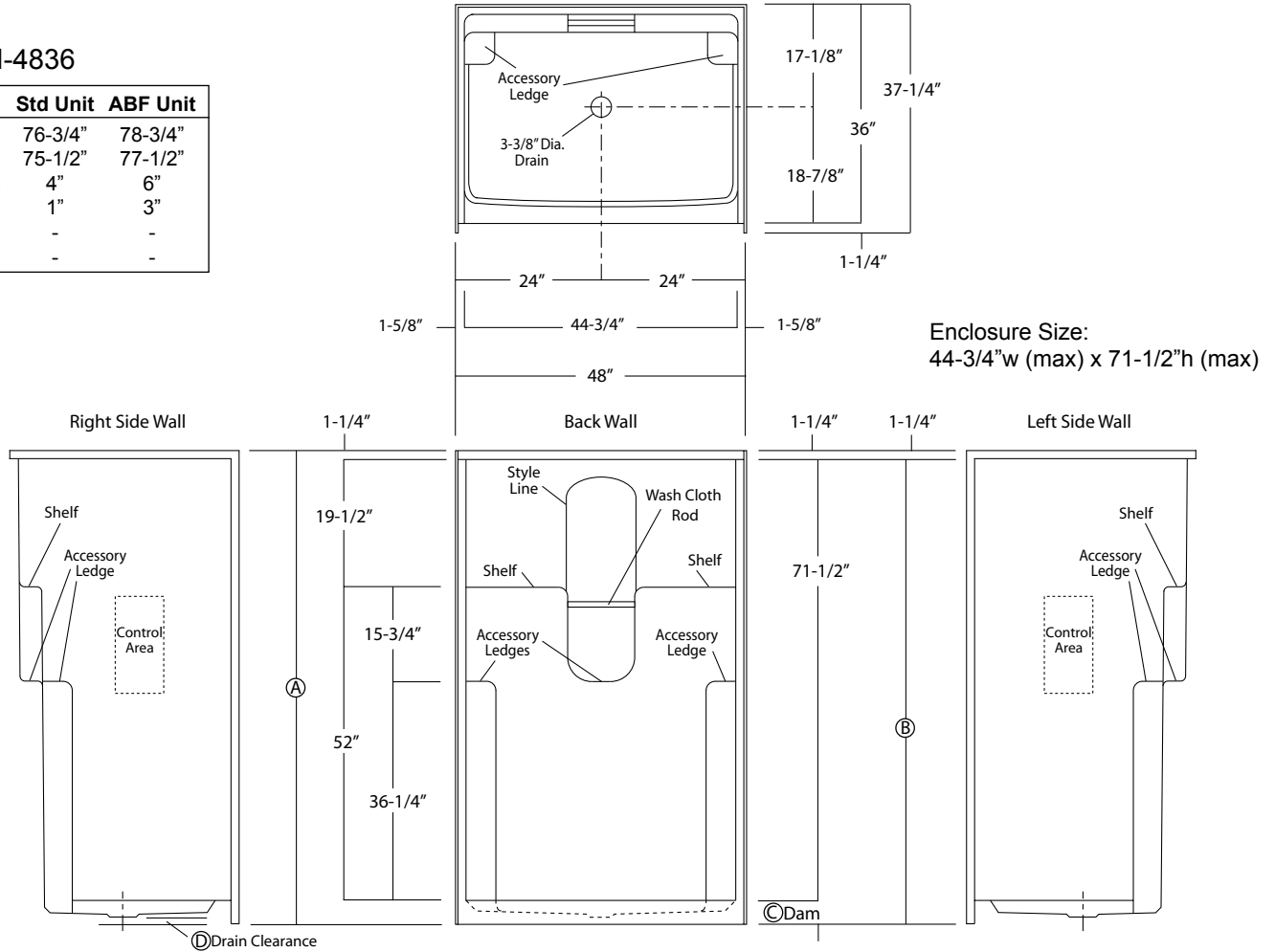
Order No.: SH-4836 (4" dam)

SH-4836 ABF (6" dam)

48" x 36", one-piece gelcoated fiberglass shower stall with a 4" low profile dam (1" drain clearance), dual shelves and accessory ledges, wall surround, and center drain.

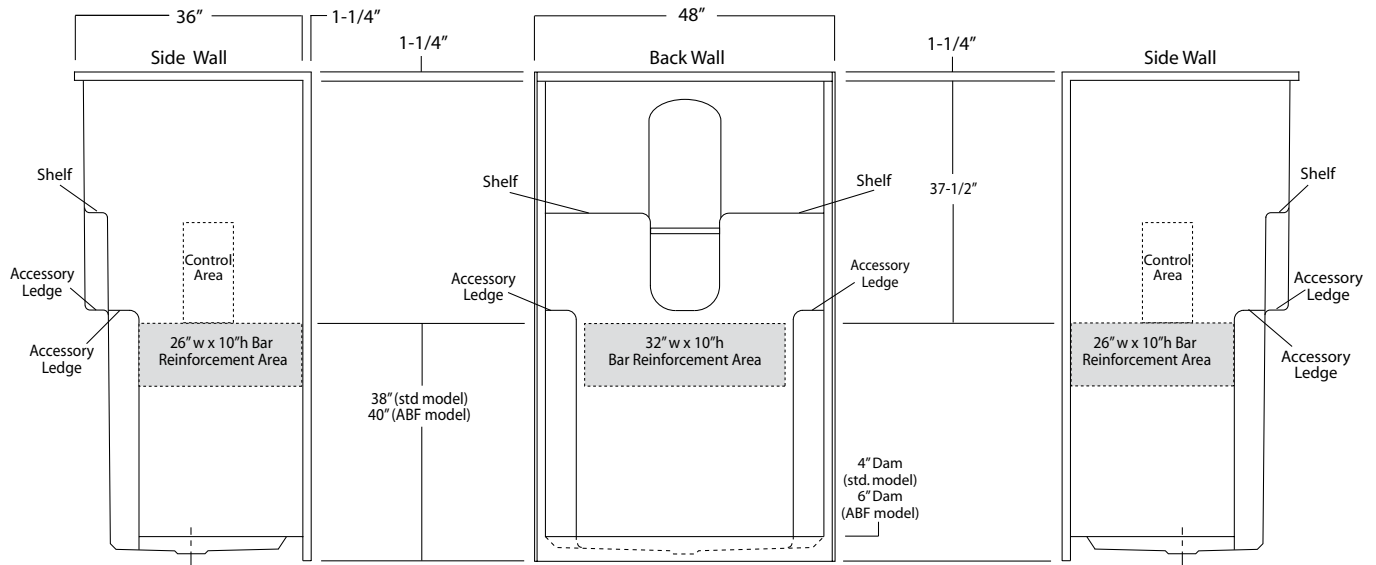
SH-4836

	Std Unit	ABF Unit
A	76-3/4"	78-3/4"
B	75-1/2"	77-1/2"
C	4"	6"
D	1"	3"
E	-	-
F	-	-



Package Order No.: FH (Fair Housing wall reinforcement)

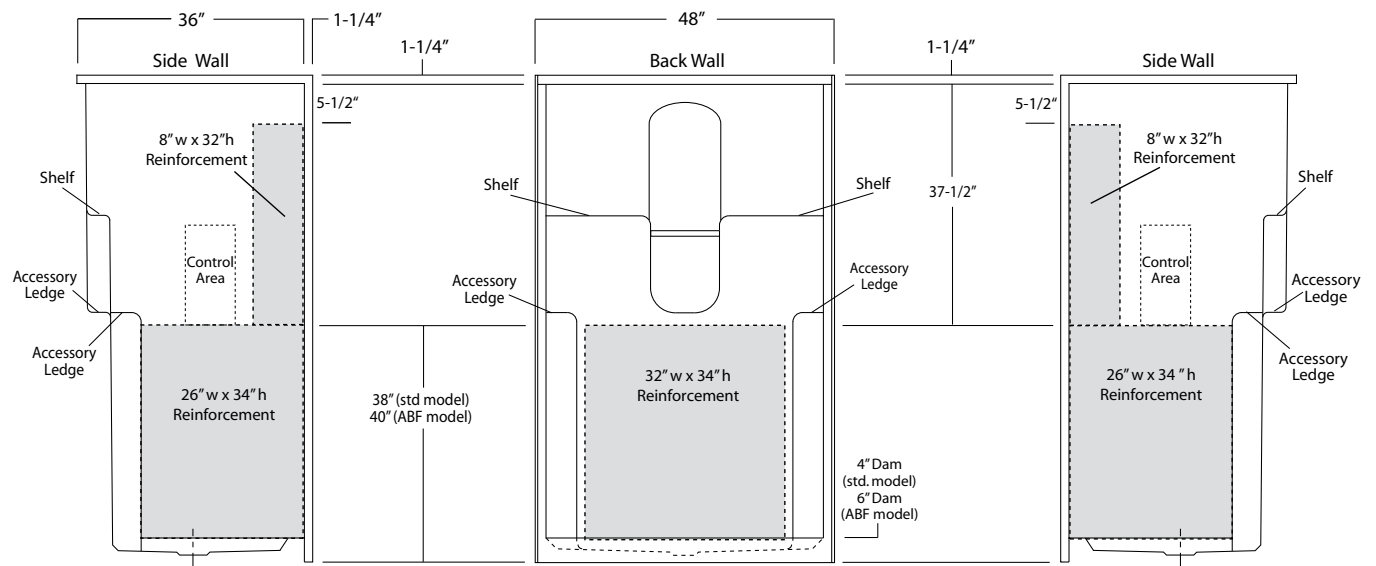
Package Includes: Factory applied, HUD-FHA compliant (Fair Housing), structurally reinforced wall areas (as shown) for the independent field application of bars.



Package Order No.: 3SM (3-side, mid-level wall reinforcement)

Package Includes: Factory applied, 3-side, mid-level, structurally reinforced wall areas (as shown), exceeding 'Fair Housing' (HUD/FHA) requirements.

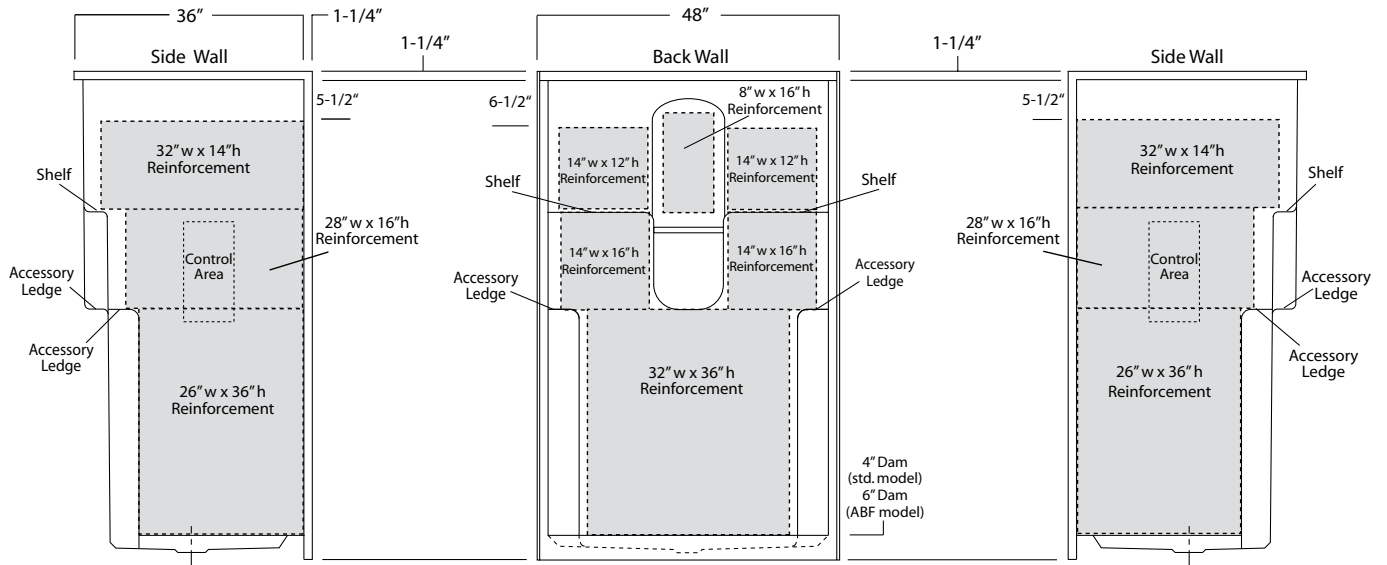
NOTE: Factory installed bar packages available using 3SM reinforcement.



Package Order No.: 3SF (3-side, full-wall reinforcement)

Package Includes: Factory applied, 3-side, full-wrap, structurally reinforced wall areas (as shown), exceeding 'Fair Housing' (HUD/FHA) requirements, for the independent field application of bars.

NOTE: Factory installed bar packages available using 3SF reinforcement.



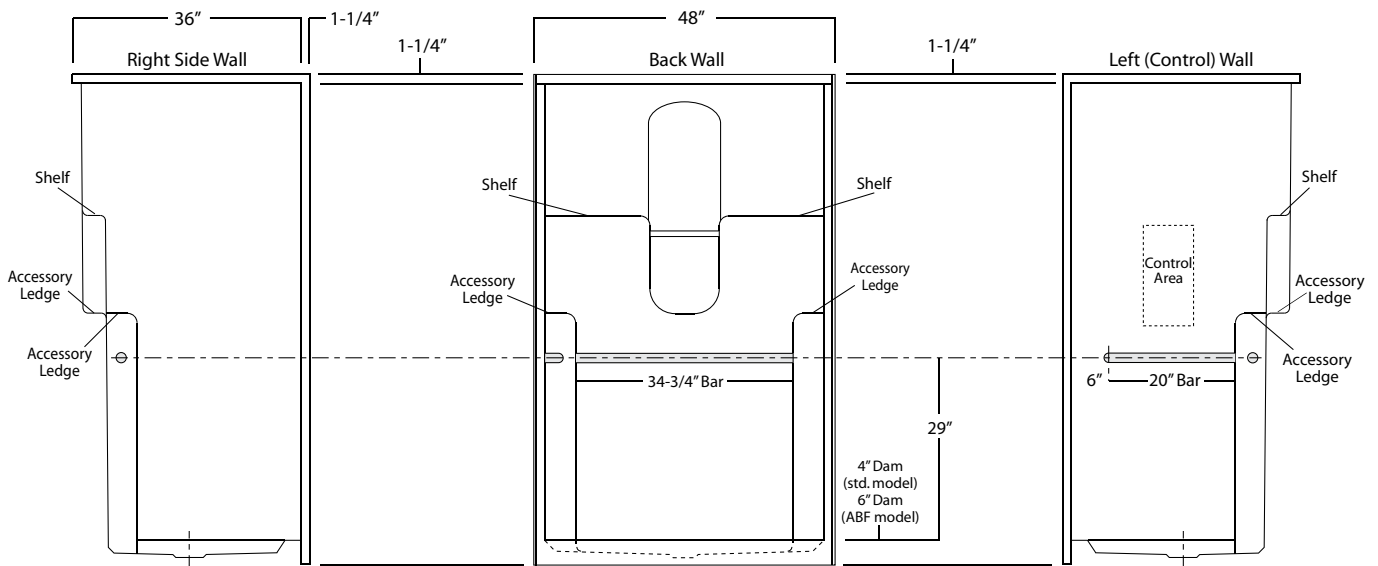
Package Order No.: BP1-(R or L) (2-bar only package)

- Upgrade Package No.:** BP1-(R or L) WHT (1-1/4" dia., white powder coat, 2-bar only package)
- BP1-(R or L) OFW (1-1/4" dia., off-white powder coat, 2-bar only package)
- BP1-(R or L) SNK (1-1/4" dia., satin nickel, 2-bar only package)

Package Includes: Factory installed, 1-1/2" dia. stainless steel, 2-bar package with basic reinforcement for components (as shown).

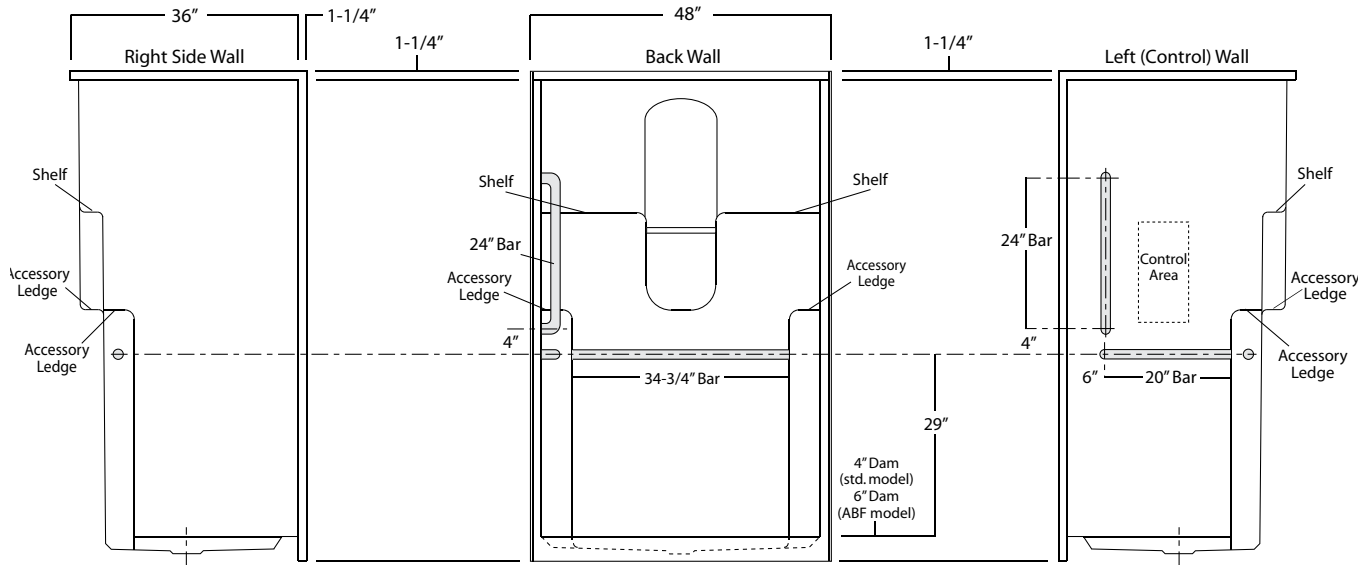
NOTE: Enhanced reinforcement available, see 3SM & 3SF packages.

NOTE: "R or L" designates RH or LH control wall.



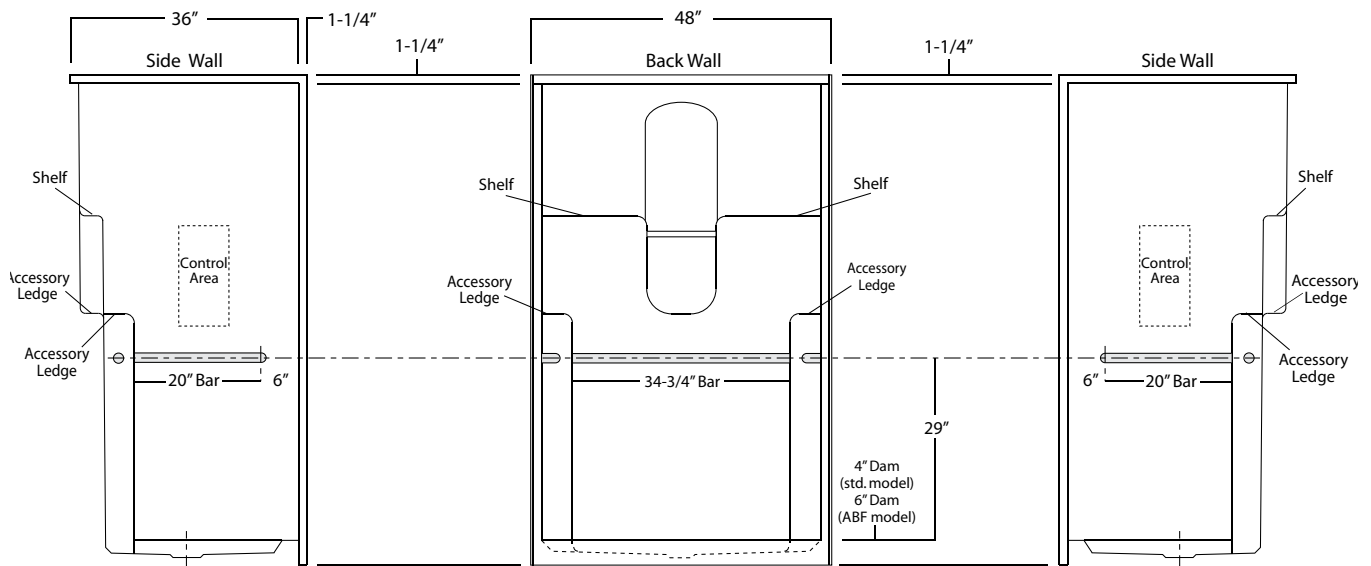
Package Order No.: BP2-(R or L) (3-bar only package)
Upgrade Package No.: BP2-(R or L) WHT (1-1/4" dia., white powder coat, 3-bar only package)
 BP2-(R or L) OFW (1-1/4" dia., off-white powder coat, 3-bar only package)
 BP2-(R or L) SNK (1-1/4" dia., satin nickel, 3-bar only package)

Package Includes: Factory installed, 1-1/2" dia. stainless steel, 3-bar package with basic reinforcement for components (as shown).
 NOTE: Enhanced reinforcement available, see 3SM & 3SF packages.
 NOTE: "R or L" designates RH or LH control wall.



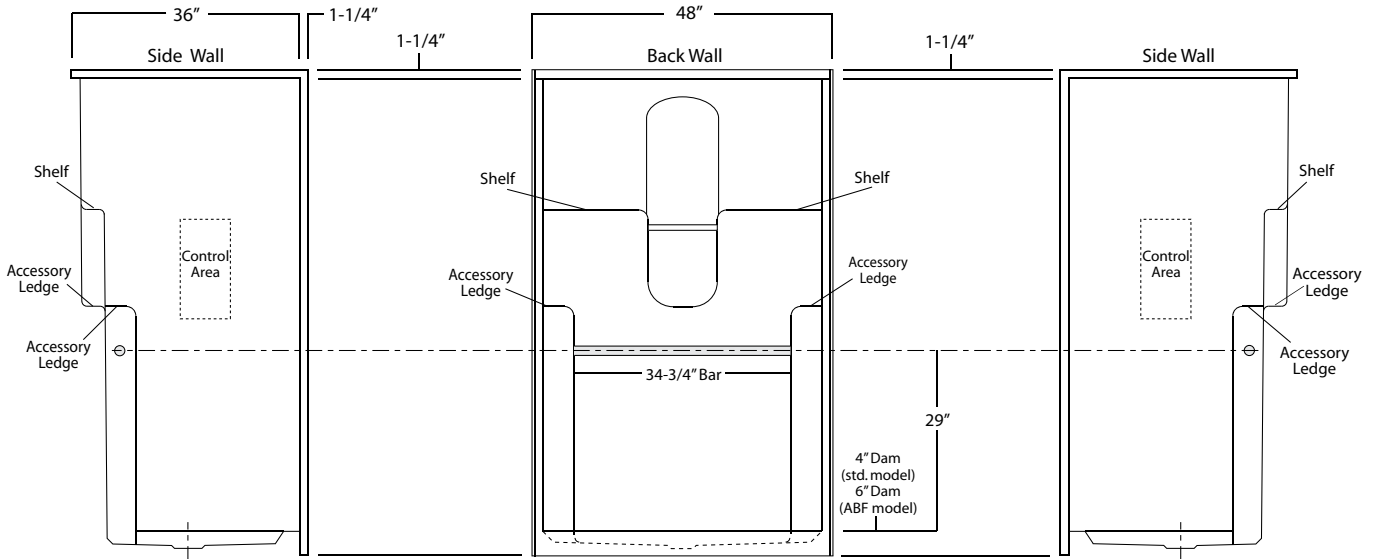
Package Order No.: BP3 (3-bar only package)
Upgrade Package No.: BP3 WHT (1-1/4" dia., white powder coat, 3-bar only package)
 BP3 OFW (1-1/4" dia., off-white powder coat, 3-bar only package)
 BP3 SNK (1-1/4" dia., satin nickel, 3-bar only package)

Package Includes: Factory installed, 1-1/2" dia. stainless steel, 3-bar package with basic reinforcement for components (as shown).
 NOTE: Enhanced reinforcement available, see 3SM & 3SF packages.



Package Order No.: BP5 (single-bar only package)
Upgrade Package No.: BP5 WHT (1-1/4" dia., white powder coat, single-bar only package)
 BP5 OFW (1-1/4" dia., off-white powder coat, single-bar only package)
 BP5 SNK (1-1/4" dia., satin nickel, single-bar only package)

Package Includes: Factory installed, 1-1/2" dia. stainless steel, single, back wall bar package (as shown).
 NOTE: Enhanced reinforcement available, see 3SM & 3SF packages.

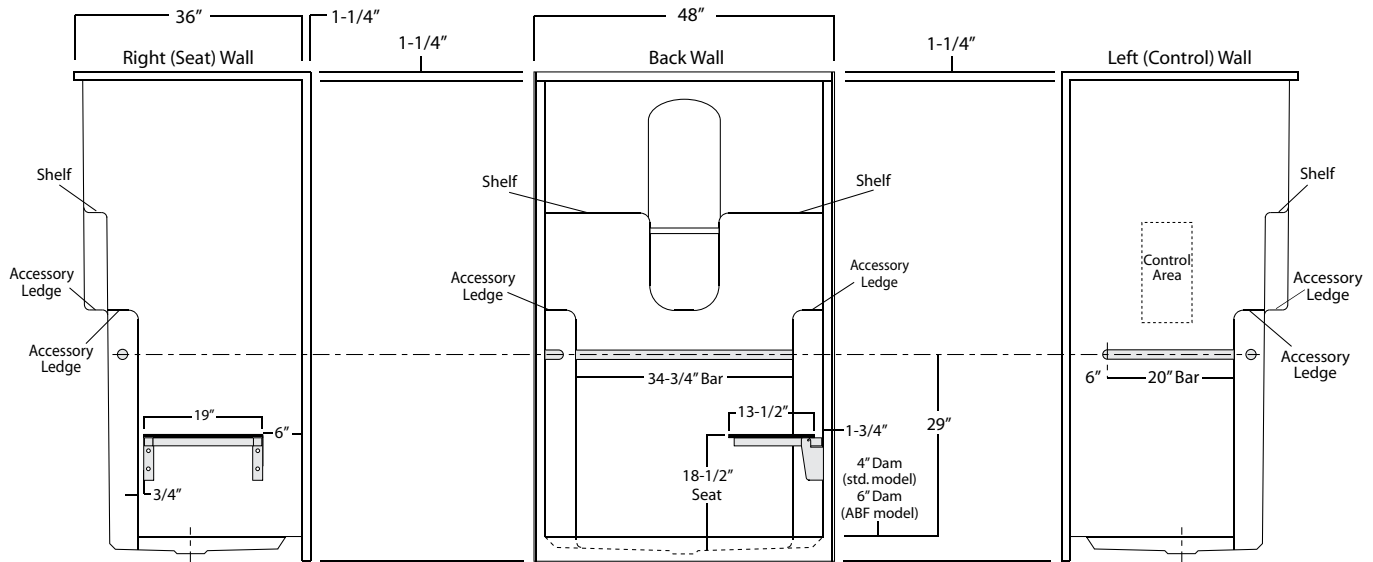


Package Order No.: TL-(RS or LS) (2-bar & folding seat package)
Upgrade Package No.: TL-(RS or LS) WHT (1-1/4" dia., white powder coat, 2-bar & folding seat package)
 TL-(RS or LS) OFW (1-1/4" dia., off-white powder coat, 2-bar & folding seat package)
 TL-(RS or LS) SNK (1-1/4" dia., satin nickel, 2-bar & folding seat package)

Package Includes: Factory installed, 1-1/2" dia. stainless steel, 2-bar and folding seat package with basic reinforcement for components (as shown).

NOTE: Enhanced reinforcement available, see 3SM & 3SF packages.

NOTE: "RS or LS" designates seat wall.

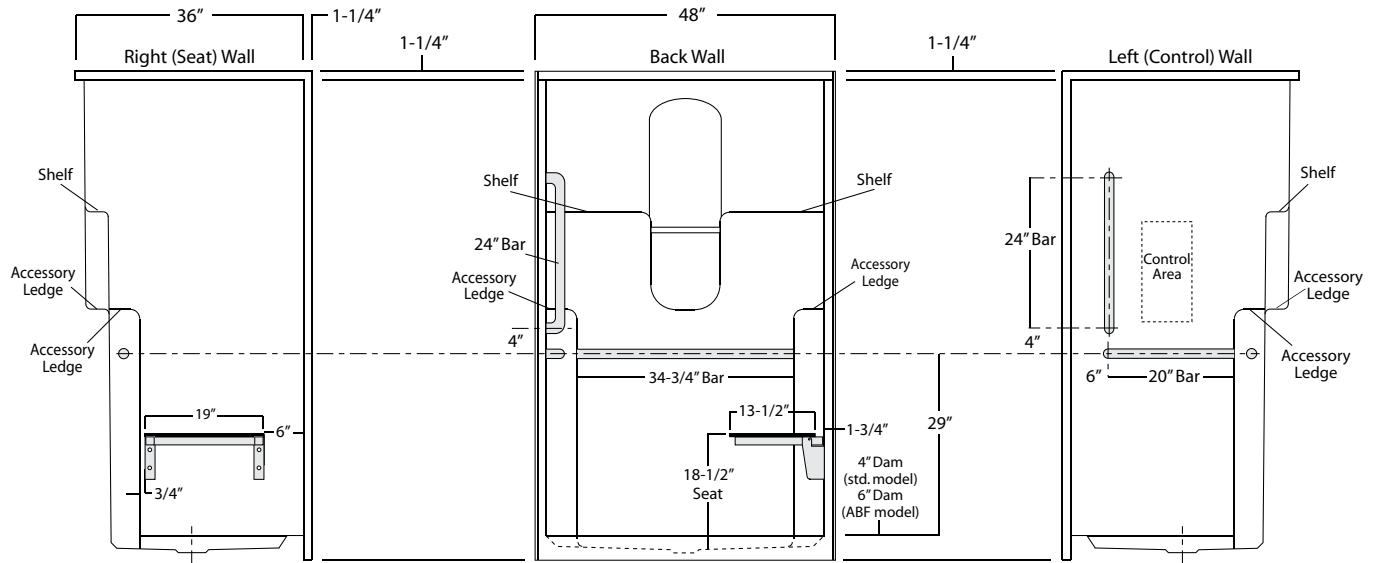


Package Order No.: TLV-(RS or LS) (3-bar & folding seat package)
Upgrade Package No.: TLV-(RS or LS) WHT (1-1/4" dia., white powder coat, 3-bar & folding seat package)
 TLV-(RS or LS) OFW (1-1/4" dia., off-white powder coat, 3-bar & folding seat package)
 TLV-(RS or LS) SNK (1-1/4" dia., satin nickel, 3-bar & folding seat package)

Package Includes: Factory installed, 1-1/2" dia. stainless steel, 3-bar and folding seat package with basic reinforcement for components (as shown).

NOTE: Enhanced reinforcement available, see 3SM & 3SF packages.

NOTE: "RS or LS" designates seat wall.



Photographic images may include optional components and appear different than actual product.
 Dimensions shown are maximum. Due to the nature of the materials involved, actual unit dimensions can vary (tolerances: +0 / -3/8 inch).
 Oasis reserves the right to modify or discontinue product and/or associated equipment without prior written or verbal notification or obligation.