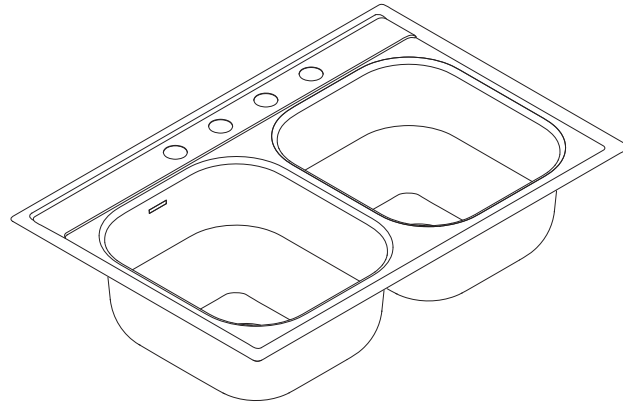


Model Number	Faucet Holes	Depth-Inches	Drain Placement	ADA/FHA Compliant*
GS202153BQ	3	7"	Rear	FHA
GS202154BQ	4	7"	Rear	FHA
GS202131Q	1	8"	Center	No
GS202134Q (pictured)	4	8"	Center	No
GS202133Q	3	8"	Center	No
GS202334Q	4	L: 9", R: 7"	Center	No
GS202173BQ	3	5-1/2"	Rear	ADA/FHA
GS202174BQ	4	5-1/2"	Rear	ADA/FHA



SINK DESCRIPTION

- 2000 Series single bowl drop-in sink
- 20 gauge stainless steel, matte bowl finish
- U-channel mounting system, hardware included
- QuickMount™ installation included
- SoundSHIELD™ sound absorbing system

WARRANTY

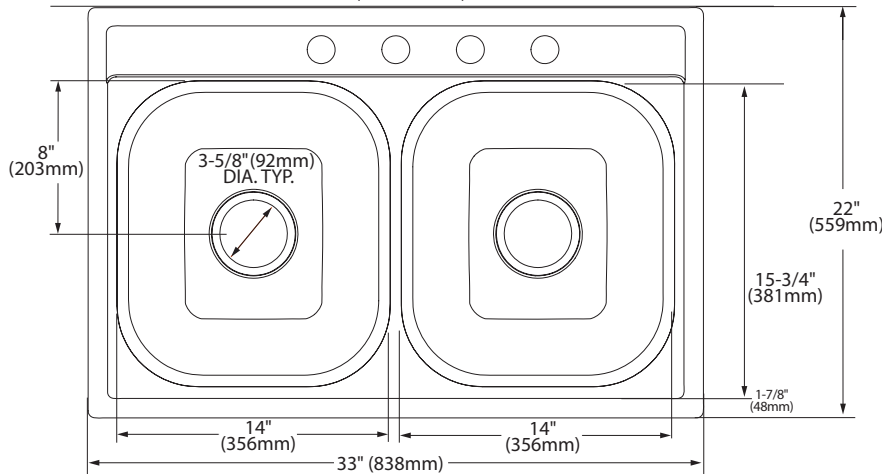
- Lifetime limited warranty to the original homeowner
- 10 year limited warranty when used in a Multi-family installation
- 5 year limited warranty when used in a Commercial installation
- Visit www.moen.com/customer-support/warranty for complete details and limitations

SINK DIMENSIONS

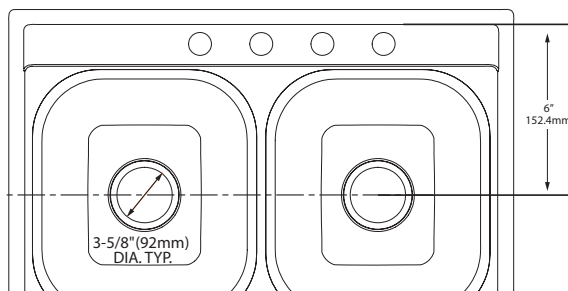
- Overall: 33" x 22"
- Left Bowl: 14" x 15-3/4"
- Right Bowl: 14" x 15-3/4"
- Drain Size: 3-5/8"
- Faucet Holes
 - 1-1/2" (38mm) diameter
 - 4" (102mm) center

CRITICAL DIMENSIONS

(DO NOT SCALE)



Rear Configuration



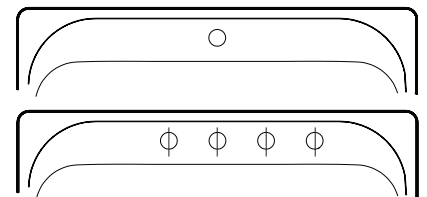
CUT OUT DIMENSIONS

- 32-3/8" x 21-3/8" with 1-1/2" corner radius, tolerance of plus or minus 1/16" is acceptable

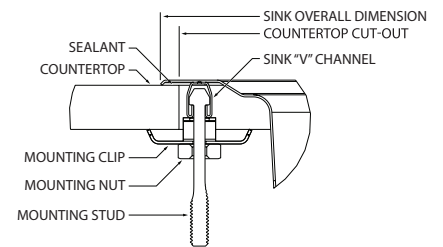
STANDARDS

- Third party certified to meet ASME A112.19.3/CSA B45.4 and all applicable specifications referenced therein
- ***ADA/FHA** Sink compliant to ADA (ICC A117.1) and FHA accessibility specifications when installed to these required standards. Always consult with your local building department for the specific installation requirements.
- ***FHA** Sink compliant to FHA accessibility specifications when installed to these required standards. Always consult with your local building department for the specific installation requirements.

Faucet Hole Configurations



Installation Detail



MADE IN THE **USA**