

SUBMITTAL SHEET

JOB NAME	ITEM TAG
JOB LOCATION	PART NUMBER
CONTRACTOR	DATE
ENGINEER APPROVAL	DATE

1/4 TURN BALL TYPE OIL TANK VALVE

Model T-565

125 W.O.G.

Working Pressure, Non Shock (PSI)

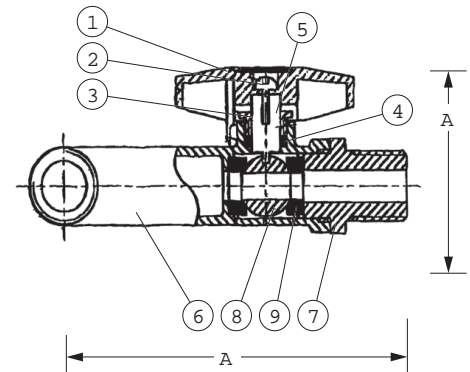
Cold working pressure (CWP):

Saturated steam (WSP):

Pictured
Model T-565



Pictured
Model T-565
Cut-away



MATERIAL SPECIFICATION		
PART	MATERIAL	SPECIFICATION
1 Handle	ZINC ALLOY	
2 Screw	BRASS	
3 Packing gland	BRASS	(B16-C36000)
4 Packing	*TEFLON (PTFE)	
5 Stem	BRASS	(B16-C36000)
6 Body	BRASS	(B16-C36000)
7 End adapter	BRASS	(B16-C36000)
8 Ball	BRASS	(B16-C36000)
9 Seats	*TEFLON (PTFE)	
*Teflon is a registered trademark of DUPONT		

DIMENSIONS			
Size	A	B	C
1/2" M X 3/8" M	3.95	1.19	2.62