

SUBMITTAL SHEET

JOB NAME	ITEM TAG
JOB LOCATION	PART NUMBER
CONTRACTOR	DATE
ENGINEER APPROVAL	DATE

LEAD-FREE QUARTER TURN ANTI-SIPHON FROST FREE SILLCOCK

T-550NL and T-550PNL

Lead-free design is suitable for all no-lead potable water installations, in full compliance of all lead-free plumbing laws.

Patented Softouch, rubber-clad handwheel is easy to operate with wet or gloved hands.

Quarter-turn operation.

Dual ceramic discs offer durable, positive shut-off.

Oversized, angled mounting flange with screw slots - covers enlarged, over-drilled sill holes.

Industry leading flow: 10 GPM at 50 p.s.i.

- Third-party tested and certified in compliance with U.S. Federal Public Law 111-380 (National lead-free plumbing law).

- A.S.S.E 1019 Certified, Type A device.

- Certified to NSF/ANSI Standard 61-G.

- cUPC / IAPMO Approved

- End connections comply with the following specifications:
ANSI / ASME B1.20.1 (MNPT and FNPT)
ANSI / ASME B16.18 (CTS solder)
ASTM F1807 (PEX barb)
ANSI / ASME B1.20.7 (male garden hose outlet)

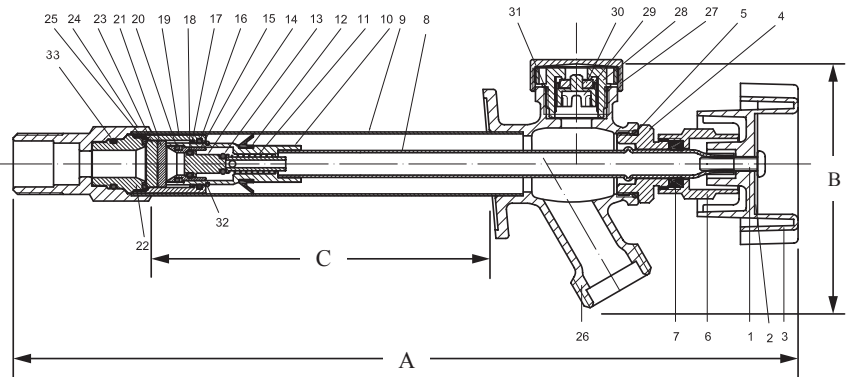


**Pictured:
Model T-550NL**

MATERIAL SPECIFICATION

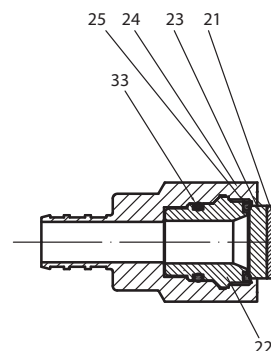
PART	MATERIAL	SPECIFICATION
1 Handle screw	Forged brass	UNS Alloy C26000
2 Identification plate	Aluminum	Commercial grade
3 Handwheel	Aluminum & TPR rubber	
4 Bonnet nut	Lead-free forged brass, chrome plated	UNS Alloy C46400
5 Bonnet nut O-ring	NBR (Nitrile) Rubber	Commercial grade
6 Packing nut	Forged brass	UNS Alloy C36000
7 Stem packing	NBR (Nitrile) Rubber	Commercial grade
8 Stem	Lead-free brass	UNS Alloy C27000
9 Outer Tube	Lead-free brass	UNS Alloy C27000
10 Cartridge Stem	Lead-free forged brass	UNS Alloy C27000
11 Spring	Stainless Steel	UNS Alloy C27000
12 Cup Washer	NBR (Nitrile) Rubber	Commercial grade
13 O-Ring	EPDM Rubber	Commercial grade
14 Check Valve Piston	Lead-free forged brass	UNS Alloy C46400
15 Spacer	Lead-free forged brass	UNS Alloy C46400
16 O-Ring	Fluoroelastomer Rubber	Viton*
17 Cartridge Packing	PTFE	Teflon*
18 O-Ring	EPDM Rubber	Commercial grade
19 Cartridge Body	Lead-free brass	UNS Alloy C46400
20 Spacer O-Ring	EPDM Rubber	Commercial grade
21 Ceramic Disk	Ceramic	Commercial grade
22 Cartridge End	Lead-free forged brass	UNS Alloy C46400
23 Ceramic Disk	Ceramic	Commercial grade
24 End Adapter	Lead-free forged brass, chrome plated	UNS Alloy C46400
25 O-Ring	EPDM Rubber	Commercial grade
26 Exterior body	Lead-free brass, chrome plated	UNS Alloy C6802
27 Vacuum breaker cap	Forged Brass	UNS Alloy C36000
28 Vacuum breaker body	POM	COPOLYMER 090
29 Vacuum breaker disk	POM	COPOLYMER 090
30 Vacuum breaker seat	NBR (Nitrile) Rubber	Commercial grade
31 Vacuum breaker O-ring	NBR (Nitrile) Rubber	Commercial grade
32 Retaining Clip	Stainless Steel	AISI Grade 304
33 O-ring	Fluoroelastomer Rubber	Viton*

* Teflon & Viton are registered trademarks of DuPont.



WARNING: Hose must be removed in order to prevent freezing or warranty will be null & void!

**Pictured:
Model T-550NL
Cut-away**



DIMENSIONS

Size	A	B	C Nominal Length
8"	13.75	3.40	7.67
10"	15.75	3.40	9.67
12"	17.75	3.40	11.67
14"	19.75	3.40	13.67