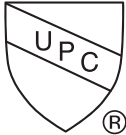
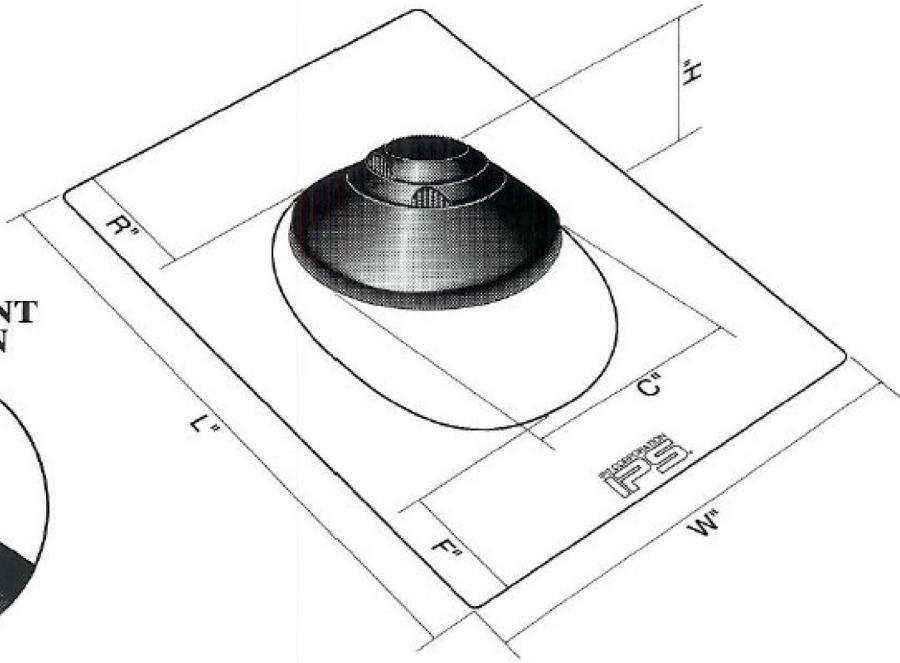
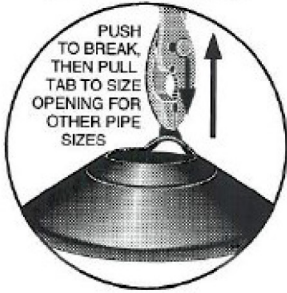




# Hard Base—Multi-Size Roof Flashing

**ADJUSTMENT FUNCTION**



Florida Building Code Approved  
#FL3066-R2

**Specifications:**

Furnish and install hard plastic base roof vent flashing with adjustable, multi-size elastomer collar. Unit shall be Water-Tite item number checked below as manufactured by IPS Corporation, as per corresponding di-mensional characteristics, or equivalent. **(Do not use Petroleum based mastics, sealing compounds, or paints on collar portion of all flashings, on all hardbase, flexible , or rain collars.)**

Product Code	Model	Vent Size	Dim. W	Dim. L	Dim. R	Dim. F	Dim. C	Dim. H
81700	HB31	1-1/4" - 3"	11-1/8"	15"	3-1/2"	2-1/2"	5 -3/10"	2-7/8"
81709	HB41	1-1/4" - 4"	12"	15-1/8"	3-3/8"	2-1/8"	6 -1/4"	2-9/10"