

Croma 100

Showerhead E Vario-Jet, 2.0 GPM

Finishes : **brushed nickel** Part no. : **04331820**



Description

Features

- 85 no-clog spray channels
- Spray modes: Vario-Jet (spray zones of variable intensity)
- Flow: 2.0 GPM (7.6 L/Min)

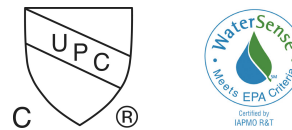
Item details

List Price \$ 117.00

Technology



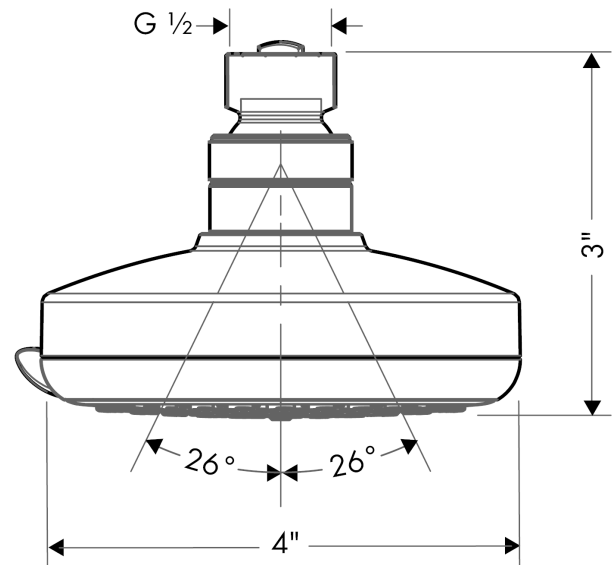
Compliance



Product image



Scale drawing

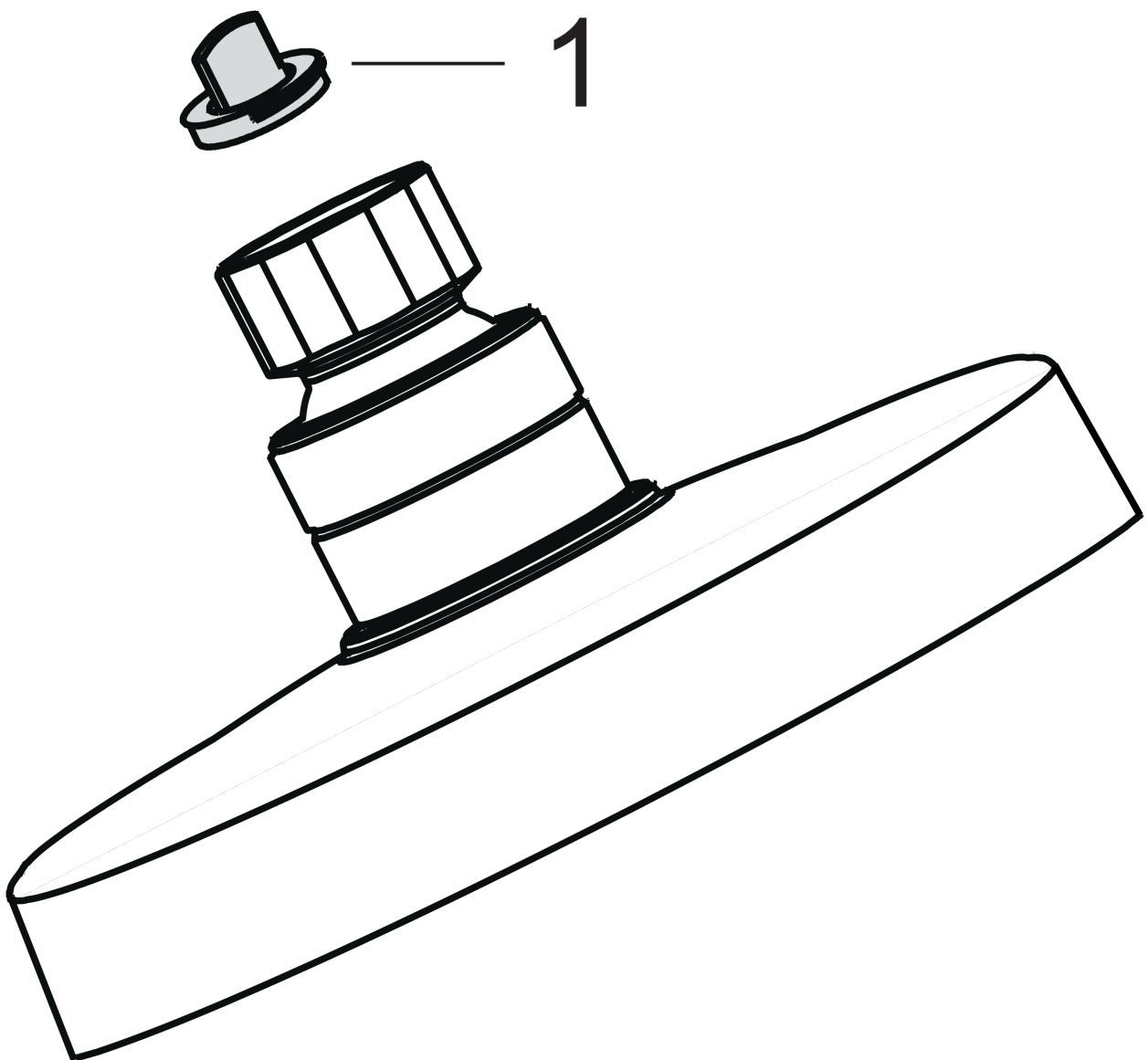


Croma 100
Showerhead E Vario-Jet, 2.0 GPM
 Finishes : **brushed nickel** Part no. : **04331820**



Exploded drawing

Year of production: >06/10



Croma 100
Showerhead E Vario-Jet, 2.0 GPM
 Finishes : **brushed nickel** Part no. : **04331820**



Spare parts list

Year of production: >06/10

Pos.	Description	Part no.	Price	PU
1	filter packing	96477000	-	1