

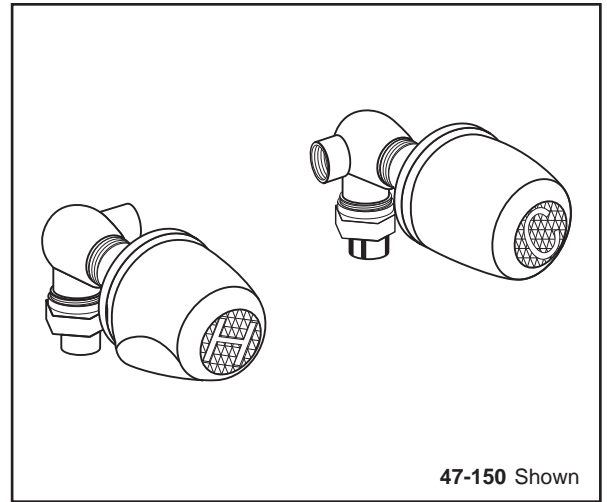


Angle Pattern Shower Fittings



Features:

- Features compression stems
- Body cast of high copper content brass
- Exposed parts have heavy chrome plate finish
- Working parts can easily be replaced
- 1/2" I.P.S. or 1/2" nominal copper sweat connections
- Threaded escutcheons
- Comes in pairs - One hot & one cold
- ADA compliant metal handles operate with less than 5 lbs. force



Standards & Certifications:

- ANSI/ASME A112.18.1M
- ANSI A117.1 (ADA)
- IAPMO/cUPC
- MASS code

Catalog Numbers:

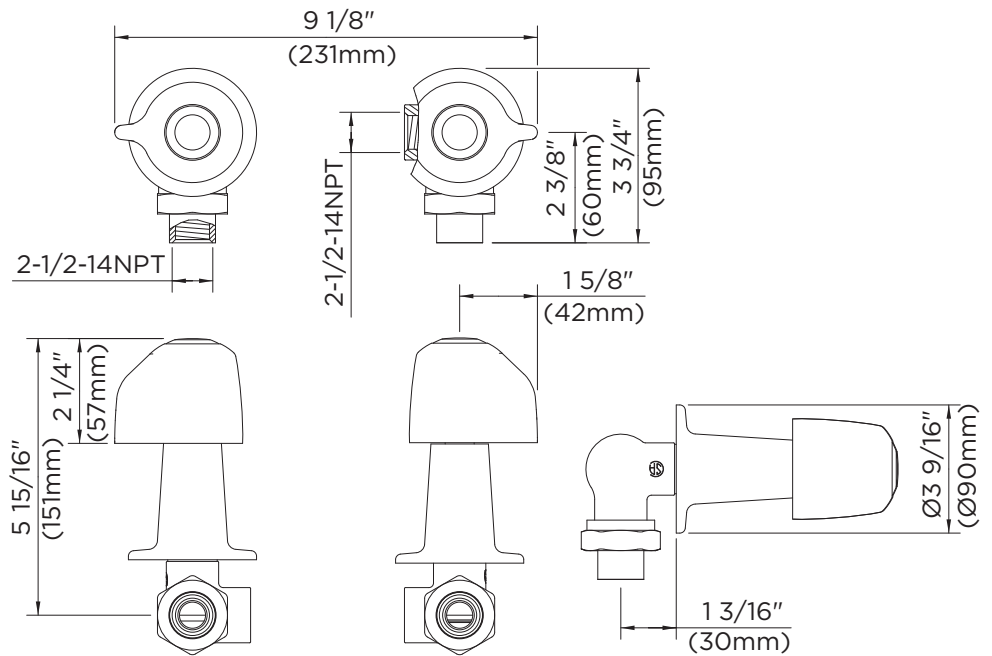
47-150 IPS/Sweat (Chrome)

Prefixes Available:

None

Suffixes Available:

None



Job Name	
Date	
Model Specified	
Quantity	
Customer	
Contractor	
Architect/engineer	

Gerber Toll Free Technical Support: 888-648-6466
www.gerberonline.com