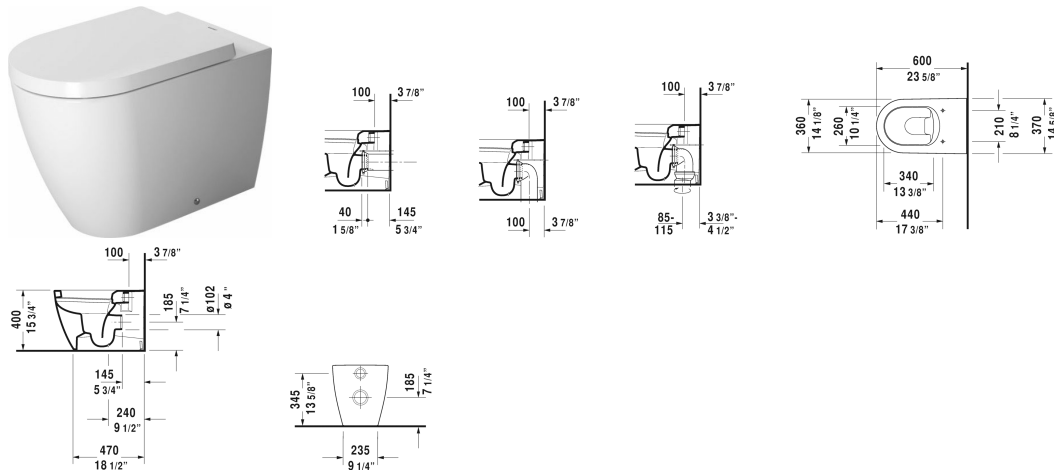


**ME by Starck Toilet floorstanding # 216909..92**

| < 14 5/8" Inch > |



Toilet floorstanding	Dimension	Weight	Order number
back-to-wall, washdown model, hardware included, horizontal outlet, cUPC® listed*			
<b>Colors</b>			
00 White 20 HygieneGlaze (an antibacterial ceramic glaze that provides almost indefinite effectiveness)			
<b>Variant</b>			
♣ inside color White, outside color White, 1.6/0.8 gpf	14 5/8" x 23 5/8" Inch	63.9 lb	216909..92
<b>Infobox</b>			
Für die Installation mit vertikalem Ablauf, kann das Vario-Anschluss-Set #001422 und/oder #001462 genutzt werden, * Complies with following standards: ASME A112.19.2/CSA B45.1 and ASME A112.19.14, In-wall tank and actuator plate are required for installation / Refer to page XXX			
Sanitary ceramics with the special WonderGliss surface finish will remain clean and attractive-looking for a long time to come. When ordering WonderGliss please add a "1" as eleventh digit to the model number.			
Sigma 01 flush plate, dual flush for toilets, White	9 5/8" x 6 1/2" Inch		115770
Geberit in-wall tank for toilets, with dual flush mechanism	17 3/8" x 4 3/4" Inch	10.5 lb	109304
Vario connector set incl. offset	Ø 4 3/8" Inch	3.3 lb	001422
<b>Suitable products</b>			
Toilet seat and cover hinges stainless steel, without slow close,			002001

**ME by Starck Toilet floorstanding # 216909..92**

|< 14 5/8" Inch >|

Toilet seat and cover hinges stainless steel, with slow close,  
removable,

002009

*All drawings contain the necessary measurements which are subject to standard tolerances. They are stated in inch & mm and are non-binding. Exact measurements, in particular for customized installation scenarios, can only be taken from the finished ceramic piece.*