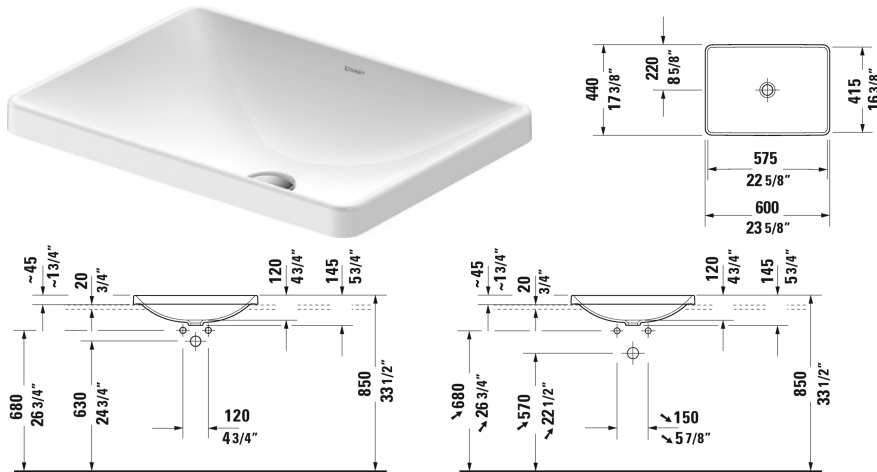


D-Neo Vanity basin # 0358600079

| < 23 5/8" Inch > |



Vanity basin	Dimension	Weight	Order number
drop-in basin, without overflow, without faucet deck, 23 5/8" Inch			
Colors			
00 White			
Variant			
☒	23 5/8" x 17 1/8" Inch	20.5 lb	0358600079
Sanitary ceramics with the special WonderGliss surface finish will remain clean and attractive-looking for a long time to come. When ordering WonderGliss please add a "1" as eleventh digit to the model number.			
Slotted waste for washbasins without overflow	2" Inch	0.7 lb	005024
Suitable products			
Console for above-counter basin and vanity basin 1 console with one cut-out, price per section of 3 7/8", basic price until 31 1/2", 1 3/4" thickness, 21 5/8" Inch	21 5/8" Inch		LC102C
Console for above-counter basin and vanity basin 1 console with two cut-outs, price per section of 3 7/8", basic price until 31 1/2", 1 3/4" thickness, 21 5/8" Inch	21 5/8" Inch		LC103C
Console for above-counter basin and vanity basin 1 console with one cut-out, price per section of 3 7/8", basic price until 31 1/2", 1 1/8" thickness, 21 5/8" Inch	21 5/8" Inch		LC106C
Console for above-counter basin and vanity basin 1 console with two cut-outs, price per section of 3 7/8", basic price until 31 1/2", 1 1/8" thickness, 21 5/8" Inch	21 5/8" Inch		LC107C

D-Neo Vanity basin # 0358600079

| < 23 5/8" Inch > |

Console for above-counter basin and vanity basin Compact 1 console with one cut-out, price per section of 3 7/8", basic price until 31 1/2", 1 3/4" thickness, 18 7/8" Inch	18 7/8" Inch	LC100C
Console for above-counter basin and vanity basin Compact 1 console with two cut-outs, price per section of 3 7/8", basic price until 31 1/2", 1 3/4" thickness, 18 7/8" Inch	18 7/8" Inch	LC101C
Console for above-counter basin and vanity basin Compact 1 console with one cut-out, price per section of 3 7/8", basic price until 31 1/2", 1 1/8" thickness, 18 7/8" Inch	18 7/8" Inch	LC104C
Console for above-counter basin and vanity basin Compact 1 console with two cut-outs, price per section of 3 7/8", basic price until 31 1/2", 1 1/8" thickness, 18 7/8" Inch	18 7/8" Inch	LC105C
Vanity unit wall-mounted 1 pull-out compartment, 1 console with one cut-out, 51 1/8" x 21 5/8" Inch	51 1/8" x 21 5/8" Inch	WT4977 L/R
Vanity unit wall-mounted 2 drawers, upper drawer including cut-out for siphon and siphon cover, 1 console with one cut-out, 51 1/8" x 21 5/8" Inch	51 1/8" x 21 5/8" Inch	WT4987 L/R
Vanity unit wall-mounted 2 drawers, upper drawer including cut-out for siphon and siphon cover, 1 console with two cut-outs, 51 1/8" x 21 5/8" Inch	51 1/8" x 21 5/8" Inch	WT4988 B
Vanity unit wall-mounted 1 pull-out compartment, 1 console with one cut-out, 51 1/8" x 21 5/8" Inch	51 1/8" x 21 5/8" Inch	WT4982 L/R
Vanity unit wall-mounted 2 drawers, upper drawer including cut-out for siphon and siphon cover, 1 console with one cut-out, 51 1/8" x 21 5/8" Inch	51 1/8" x 21 5/8" Inch	WT4992 L/R
Vanity unit wall-mounted 2 drawers, upper drawer including cut-out for siphon and siphon cover, 1 console with two cut-outs, 51 1/8" x 21 5/8" Inch	51 1/8" x 21 5/8" Inch	WT4993 B
Vanity unit wall-mounted 1 pull-out compartment, 1 console with one cut-out, 31 1/2" x 21 5/8" Inch	31 1/2" x 21 5/8" Inch	DE4947
Vanity unit wall-mounted 1 pull-out compartment, 1 console with one cut-out, 39 3/8" x 21 5/8" Inch	39 3/8" x 21 5/8" Inch	DE4948
Vanity unit wall-mounted 1 pull-out compartment, 1 console with one cut-out, 47 1/4" x 21 5/8" Inch	47 1/4" x 21 5/8" Inch	DE4949
Vanity unit wall-mounted 1 drawer, 1 pull-out compartment, upper drawer including cut-out for siphon and siphon cover, 1 console with one cut-out, 31 1/2" x 21 5/8" Inch	31 1/2" x 21 5/8" Inch	DE4967
Vanity unit wall-mounted 1 drawer, 1 pull-out compartment, upper drawer including cut-out for siphon and siphon cover, 1 console with one cut-out, 39 3/8" x 21 5/8" Inch	39 3/8" x 21 5/8" Inch	DE4968
Vanity unit wall-mounted 1 drawer, 1 pull-out compartment, upper drawer including cut-out for siphon and siphon cover, 1 console with one cut-out, 47 1/4" x 21 5/8" Inch	47 1/4" x 21 5/8" Inch	DE4969

All drawings contain the necessary measurements which are subject to standard tolerances. They are stated in inch & mm and are non-binding. Exact measurements, in particular for customized installation scenarios, can only be taken from the finished ceramic piece.