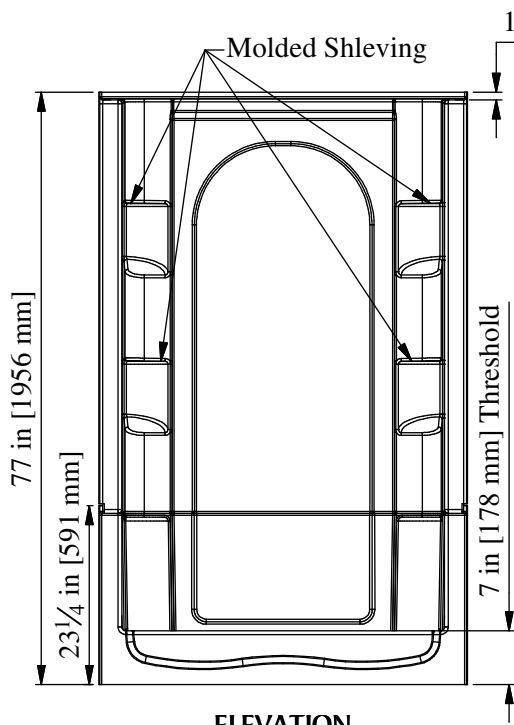
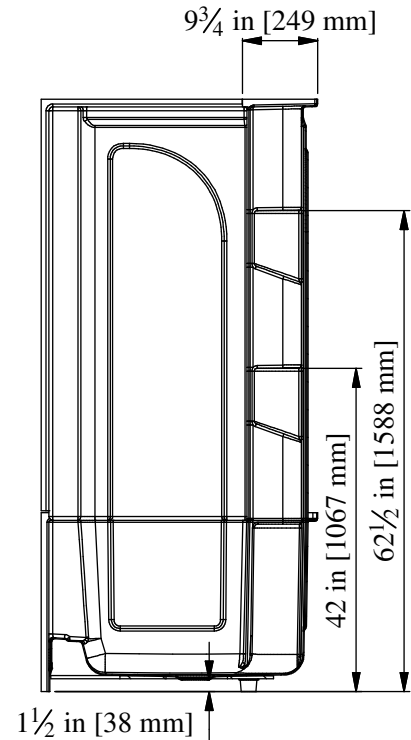


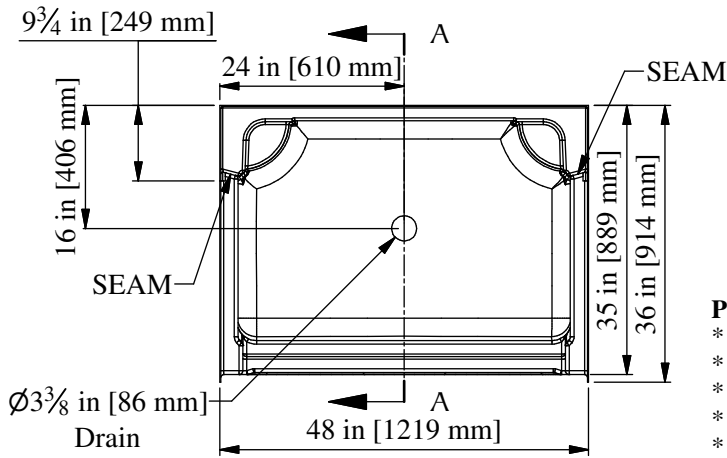
Quantum Series



ELEVATION



SECTION A-A



PLAN

48" [1219mm] 4-Piece Shower
w/ 7" [178mm] Threshold & Molded Shelving

CENTER DRAIN

PRODUCT SPECIFICATIONS:

- * Product complies with NAHB, HUD UM-73A, and ANSI-Z124.1.2.
- * Special installation instructions for this unit must be followed carefully.
- * Reinforced & slip resistant floor.
- * Molded corner shelving.
- * Integral 1" [25mm] nailing flange.
- * Door Opening: W-41-3/4" [1060mm]
H-68" [1727mm]
- * All dimensions +/- 1/2" [12.8mm]
- * Clarion Bathware reserves the right to change design and/or dimensions.
- * Dimensions are the same for all versions of this model.
Which Include 4MS30C.

4S30C

48" [1219mm] 4-Piece Shower w/ 7" [178mm] Threshold, Center Drain, & Molded Shelving

Clarion
BATHWARE
44 Amsler Ave.
Shippensburg, PA 16254

Phone: (814) 226-5374
Toll Free: (800) 576-9228
Fax: (814) 226-0730
www.clarionbathware.com

Signatures For Approval:

Customer: _____
Arch./Engr: _____

Date:

Quote #: _____
Job Name: _____

DWG. #
4S30C-CUT

By: NMH
Date: 9/20/2018