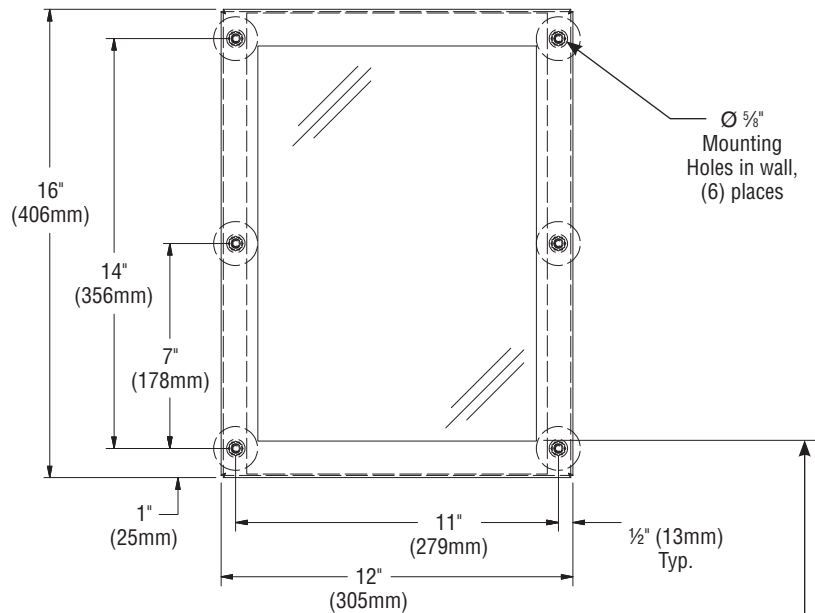
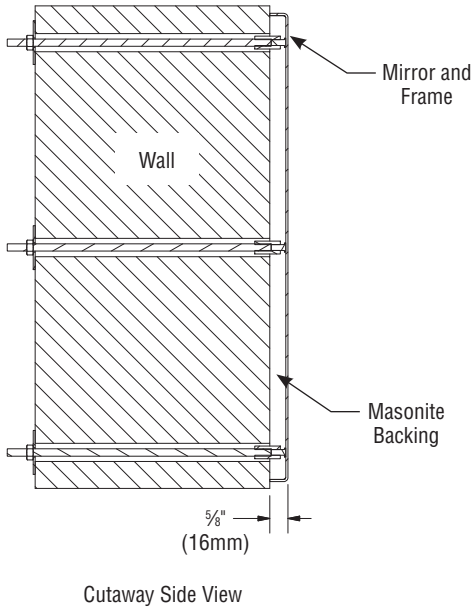


SA01 Security Framed Wall Mirror



Installation

- Before beginning installation, the mirror must be flipped to reveal reflective surface and the protective vinyl covering must be removed.



IMPORTANT: For compliance with ADA accessibility guidelines, the bottom edge of the reflecting surface should be installed 40" (1016mm) maximum above finished floor.

- From the chase side of the wall, secure the threaded rods to the mirror frame with the nuts and washers provided.

