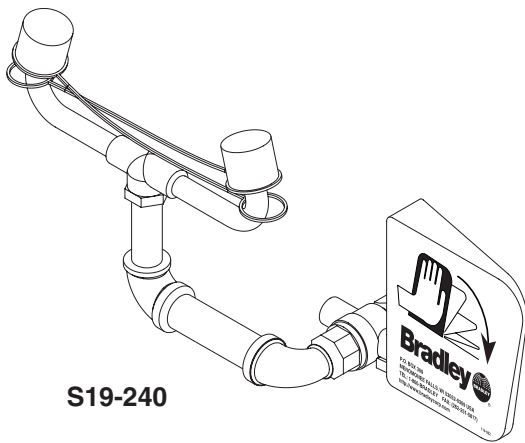


Installation

S19-240, S19-240FW

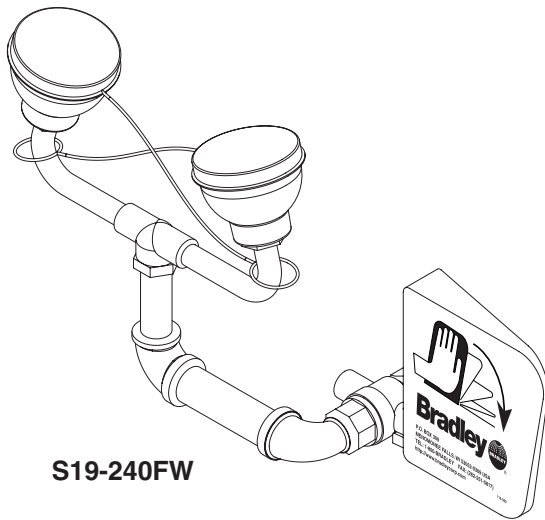
Unmounted Eyewash and Eye/Face Wash for Laboratory Application



S19-240

Table of Contents

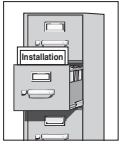
Pre-Installation Information	2
Installation Instructions	3
S19-240 Components and Parts List	4
S19-240 Components and Parts List	5



S19-240FW



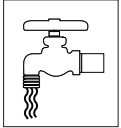
IMPORTANT



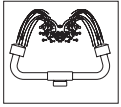
Read this installation manual completely to ensure proper installation, then file it with the owner or maintenance department. Compliance and conformity to drain requirements and other local codes and ordinances is the responsibility of the installer.



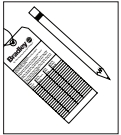
Separate parts from packaging and make sure all parts are accounted for before discarding any packaging material. If any parts are missing, do not begin installation until you obtain the missing parts.



Flush the water supply lines before beginning installation and after installation is complete. Test the unit for leaks and adequate water flow. Main water supply to the eye/face wash should be "ON" at all times. Provisions shall be made to prevent unauthorized shutoff.



The ANSI Z358.1 standard requires an uninterrupted supply of flushing fluid. Bradley plumbed emergency fixtures require a minimum of 30 PSI (0.21 MPa) flowing pressure. Flushing fluid should be tepid per ANSI Z358.1.



The inspection and testing results of this equipment should be recorded weekly to verify proper operation. This equipment should be inspected annually to ensure compliance with ANSI Z358.1.



Workers who may come in contact with potentially hazardous materials should be trained regarding the placement and proper operation of emergency equipment per ANSI Z358.1.



For questions regarding the operation or installation of this product, visit www.bradleycorp.com or call 1-800-BRADLEY.

Product warranties and service parts information may also be found under "Products" on our web site at www.bradleycorp.com.

Installation

NOTICE! Avoid cleaners containing organic solvents, alcohols, and hydrocarbons. Rinse with water after cleaning.

Supplies Required:

- Pipe sealant
- Piping to ½" NPT water supply inlet
- Sign-mounting hardware
- Backflow prevention device as required by UPC, IPC and/or local plumbing codes

Local codes may require the installation of a backflow prevention valve to complete proper installation. Compliance with local codes is the responsibility of the installer. Valve must be tested annually to verify that it is functioning properly. Backflow prevention valves are not included with the fixture and may be supplied by the contractor or purchased from Bradley Corporation.

Step 1: Assemble components

The top of the eyewash heads should be 33"–45" (838mm–1143mm) from the floor.

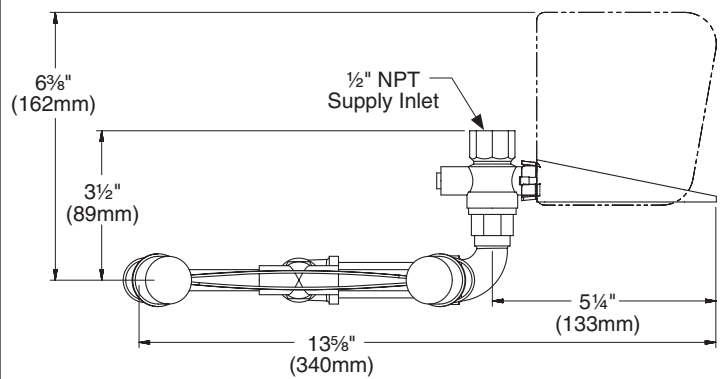
1. Assemble the components as shown on page 4 (for S19-240) or page 5 (for S19-240FW).
 - Apply pipe sealant (supplied by installer) to all male-threaded pipe joints.
 - Use a strap wrench around pipes when tightening to prevent marring the BradTect® protective, safety yellow coating.

Step 2: Connect water supply

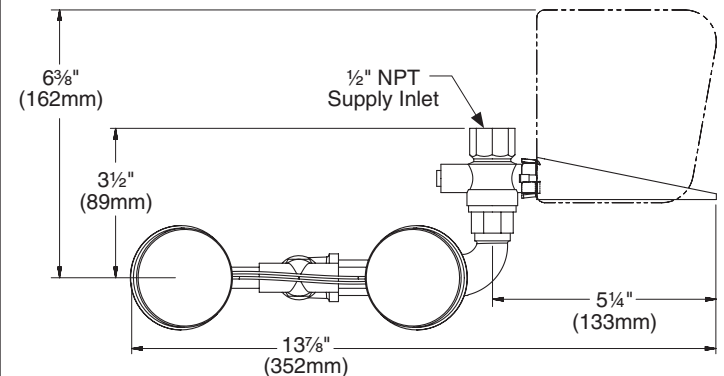
1. Connect the water supply piping (by installer) to the ½" NPT inlet on the eyewash.
2. Open the water supply lines. Test for leaks and adequate water flow.
3. Mount the safety sign to the wall using the sign-mounting hardware supplied by the installer.

All dimensions assume standard thread engagement. Variations in manufacturing allow for +/- ⅛" (3mm) per threaded joint. To find the tolerance of a dimension, add the number of thread joints in between a dimension and multiply it by ⅛" (3mm).

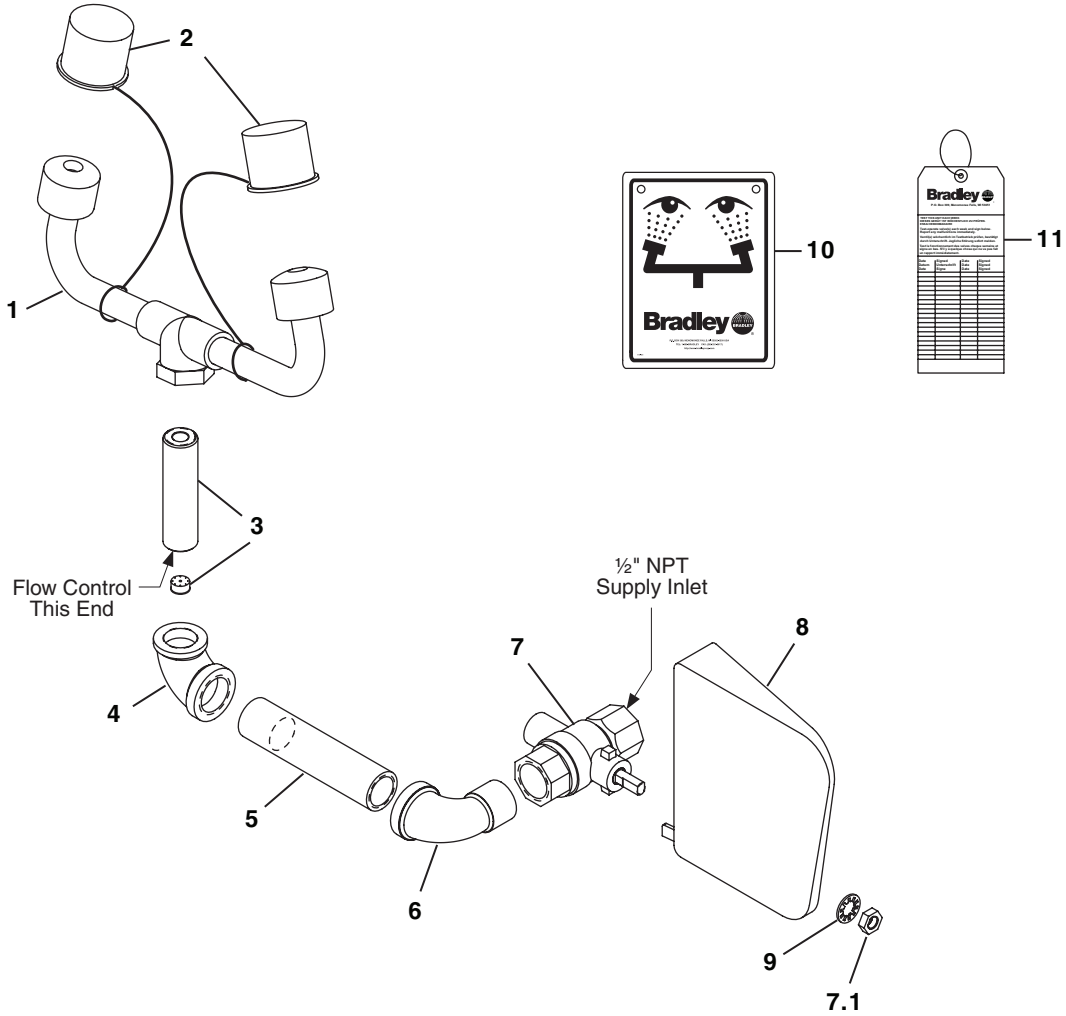
S19-240



S19-240FW



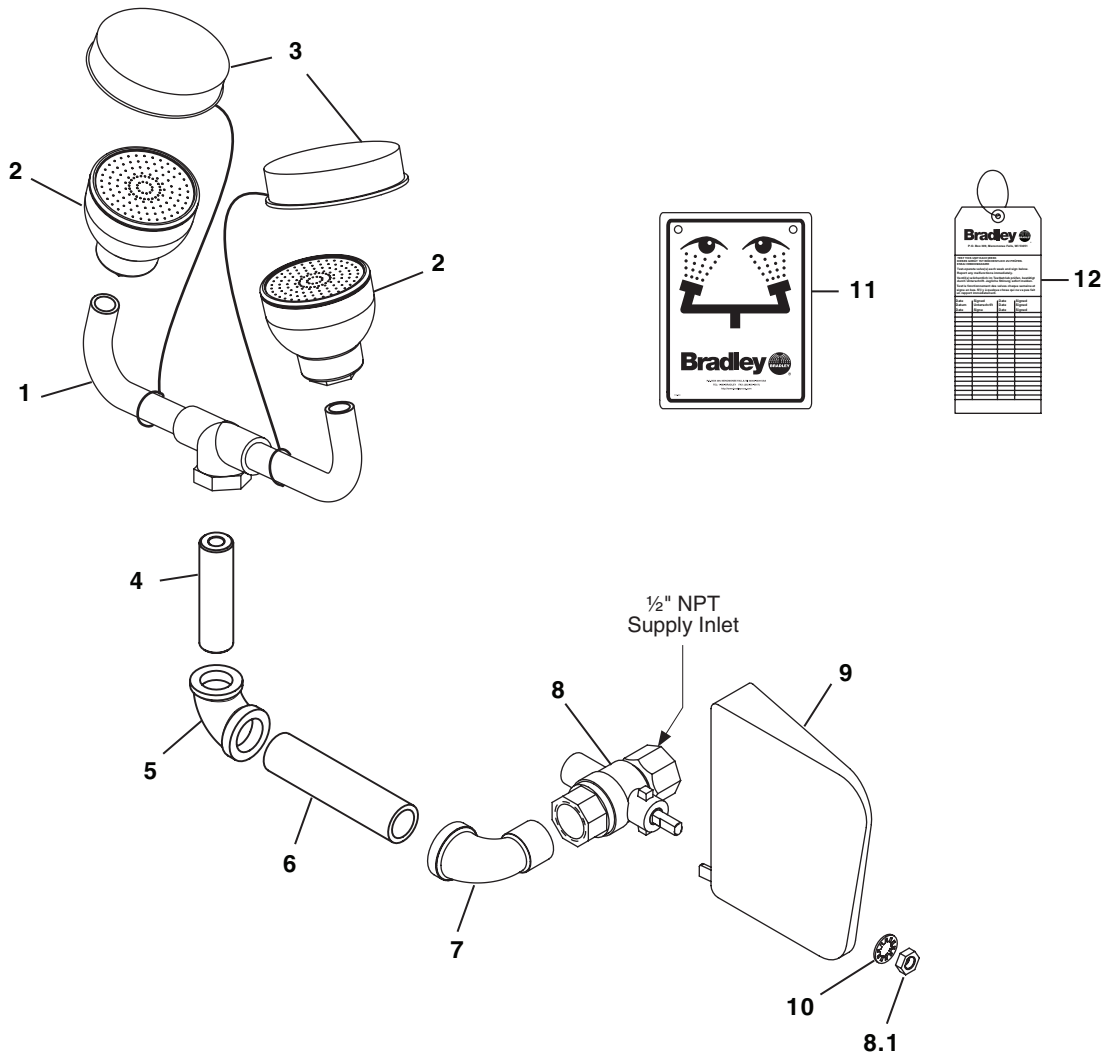
Assembly of Components and Parts List — S19-240



Item	Part No.	Qty	Description
1	S05-091	1	Eyewash Yoke
2	107-371	2	Dust Cover
3	S21-077	1	Stem
4	169-1023A	1	Elbow 1/2" x 3/8" Chrome
5	113-965	1	Pipe 1/2" x 3 1/2"
6	169-862	1	1/2"NPT Street Elbow (Chrome)

Item	Part No.	Qty	Description
7	S27-327	1	1/2" NPT Ball Valve w/Nut
7.1	110-215	1	Nut Only
8	128-135	1	Handle
9	142-002DA	1	Lockwasher
10	114-051	1	Safety Sign
11	204-421	1	Emergency Inspection Tag

Assembly of Components and Parts List — S19-240FW



Item	Part No.	Qty	Description
1	S05-091P	1	Eyewash Yoke
2	S45-2453	1	Service Kit EFW - Black Sprayheads
3	S53-063	2	Dust Cover
4	113-1191	1	Stem Pipe
5	169-1023A	1	Elbow 1/2" x 3/8" Chrome
6	113-596	1	Pipe Nipple
7	169-862	1	1/2"NPT Street Elbow (Chrome)

Item	Part No.	Qty	Description
8	S27-327	1	1/2" NPT Ball Valve w/Nut
8.1	110-215	1	Nut Only
9	128-135	1	Handle
10	142-002DA	1	Lockwasher
11	114-051	1	Safety Sign
12	204-421	1	Emergency Inspection Tag