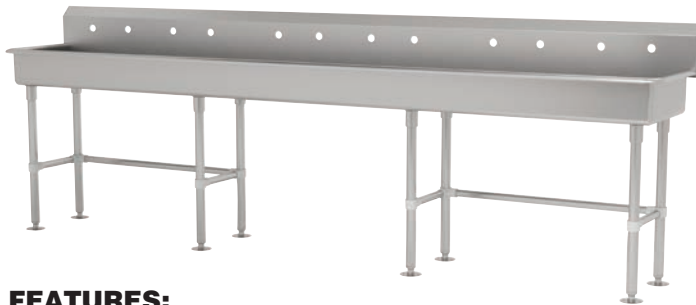




14 GAUGE STAINLESS STEEL

SIX STATION A.D.A. FLOOR MOUNTED SINK WITH TUBULAR LEGS & CROSS BRACING WITH/WITHOUT MANUAL FAUCETS



"-F" Series Sink Includes K-161-LU Gooseneck Faucets with Wrist Handles

Item #: _____ Qty #: _____
 Model #: _____
 Project #: _____



A.D.A. COMPLIANT



FEATURES:

- 8 1/2" high backsplash.
- 5" sink bowl depth.
- Two stainless steel "Z" brackets.
- Three K-6 3 1/2" rear basket drains.
- Tubular stainless steel legs with flanged feet.
- Side & rear adjustable cross-bracing with leg clamps.
- Manual Operated:** Faucets sold separately.
- "-F" Series** includes six K-161-LU 6" gooseneck faucets.

CONSTRUCTION:

All TIG welded.
 Welded areas blended to match adjacent surfaces and to a satin finish.

MATERIAL:

All 14 gauge type "304" stainless steel.
 1 5/8" tubular "304" stainless steel legs & cross-bracing.
 Stainless steel gussets.

MECHANICAL:

8" O.C. faucet holes punched at each station.

Model #	Length	# of Faucets Sink Accommodates	# of Faucets Included	Wt.	Cu. Ft.
FS-FM-120-ADA	120"	6	0 <small>(Faucets Not Included)</small>	200 lbs.	83
FS-FM-120-ADA-F	120"	6	6 <small>(K-161-LU Faucets Included)</small>	212 lbs.	83

[Click Here For Install Guide](#)



MULTI-STATION ACCESSORIES & REPLACEMENT PARTS

Model	Description	QTY:
K-6	3 1/2" Drain (1 1/2" I.P.S.)	_____
K-13	Stainless Steel Soap Dispenser (Wall Mount Only)	_____
K-06	Splash Mount Faucet Mounting Kit	_____
K-101	8" Swing Spout Splash Mt. Faucet	_____
K-160-LU	Splash Mounted 6" Swivel Spout Faucet (8" O.C.) With Wrist Handles	_____
K-411	Strainer Plate for 3-1/2" Drain	_____
K-1118	Extra H.D. 8" Splash Mounted Faucet	_____
K-316-LU	Wrist Handles	_____
K-472	Faucet Hole Revision (Manual Faucet Operated Sinks Only)	_____
K-449	5" Backsplash Modification (Used When Installing A Mirror Over An Ada Multi-Station Or Service Sink) Mirror Supplied By Others	_____
K-508	Special Sizing Charge (Larger Size Cut Down To Smaller Size)	_____
TA-19	Adjustable Stainless Steel Flanged Bullet Foot	_____



= Ships UPS

Standard Faucets conform to NSF 61 Standard 9 and compliance to AB 1953 Standards.

WARNING: Equipment that include faucets on this page may contain a chemical known to the State of California to cause cancer, birth defects or other reproductive harm.



Customer Service Available To Assist You 1-800-645-3166 8:30 am - 7:00 pm E.S.T.

For Orders & Customer Service:

Email: customer@advancetabco.com or Fax: 631-242-6900

For Smart Fabrication™ Quotes:

Email: smartfab@advancetabco.com or Fax: 631-586-2933

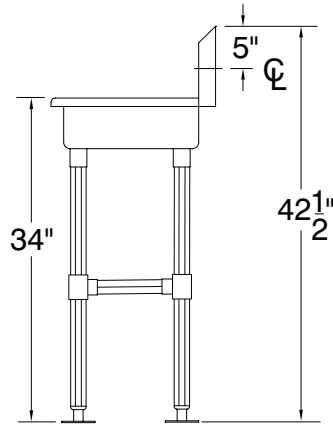
DETAILS and SPECIFICATIONS

TOL ± .500"

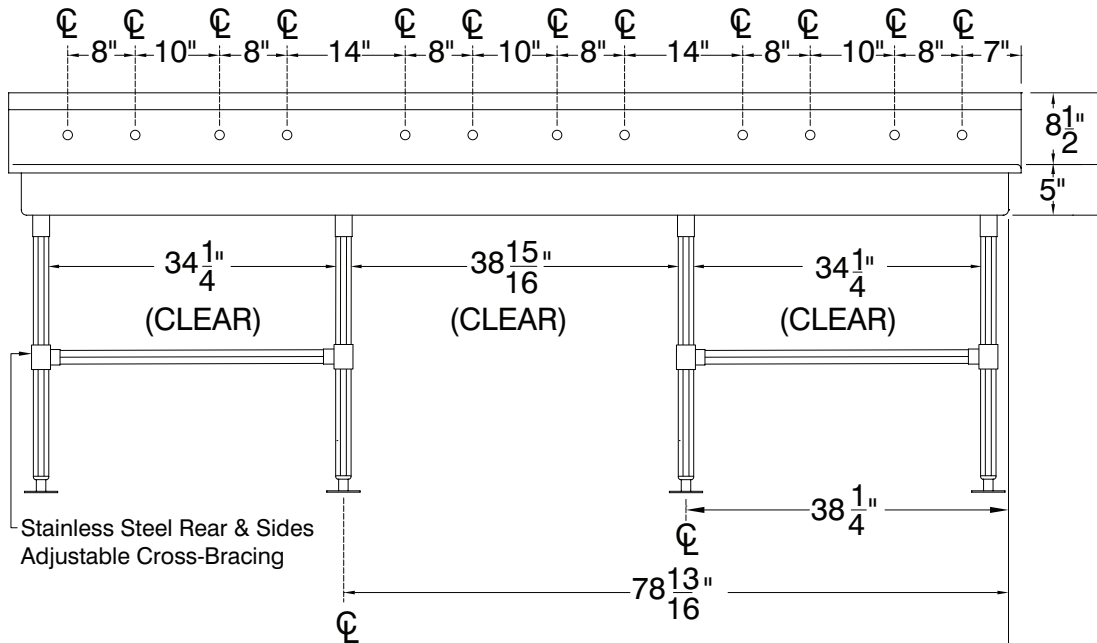
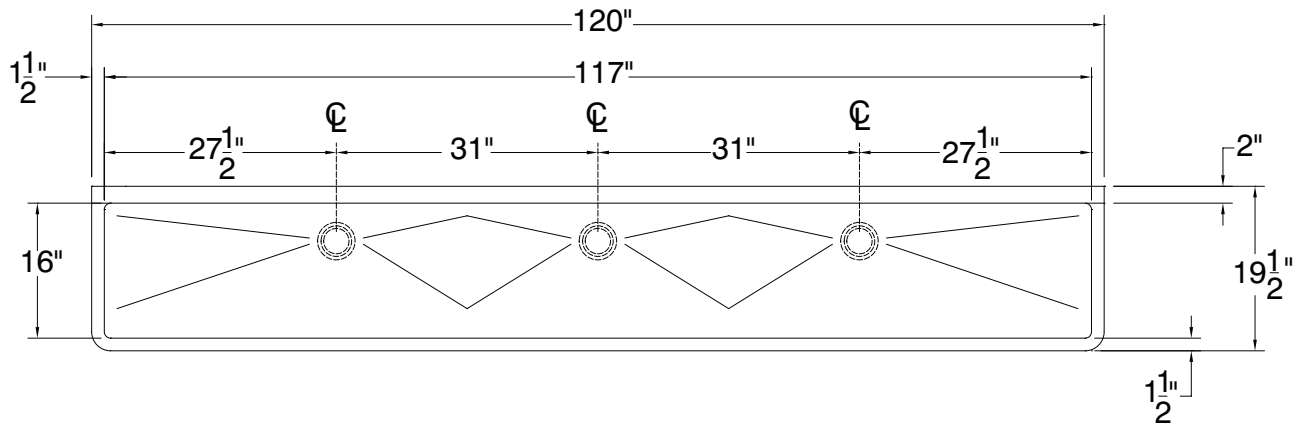
FITTINGS SUPPLIED AS SHOWN

ALL DIMENSIONS ARE TYPICAL

FS-FM-120-ADA



A.D.A.
COMPLIANT



Stainless Steel Rear & Sides
Adjustable Cross-Bracing

200 Lbs.

