



K-53 12" SWING SPOUT DECK MOUNT FAUCET

Conforms To NSF 61/9 Lead Free Requirements

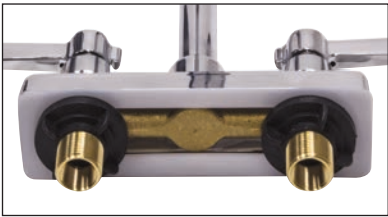


FAUCET AERATOR CONFORM TO
ASTM.A112.18.1M • 1.0 GPM/3.8 LP
THREAD: 55/64 - 27 FEMALE

Item #: _____ Qty #: _____

Model #: _____

Project #: _____



BOTTOM VIEW
1/2" NPS (OUTSIDE THREAD)
3/8" NPT (INSIDE THREAD)

FEATURES:

- 12" swing spout.
- 4" O.C. water supply.
- Quarter-turn wedge style handles.
- Colored hot & cold Indexes.
- 1.0 GPM/3.8 LPM Aerator. 60 PSI.

MATERIAL:

- Brass chrome plated body & spout.
- Chrome plated handles.



**Click This Link To
View Assembly Sheet**

Options & Accessories

Replacement Spout For K-53 Faucet

12" Swing Spout Only.

K-53SP



Low Flow Aerator

.5 GPM

K-08



Faucet Repair Kit*

K-00B (Set of 2)

Includes 2 Cartridges and 2 Handles
With Red & Blue Indexes



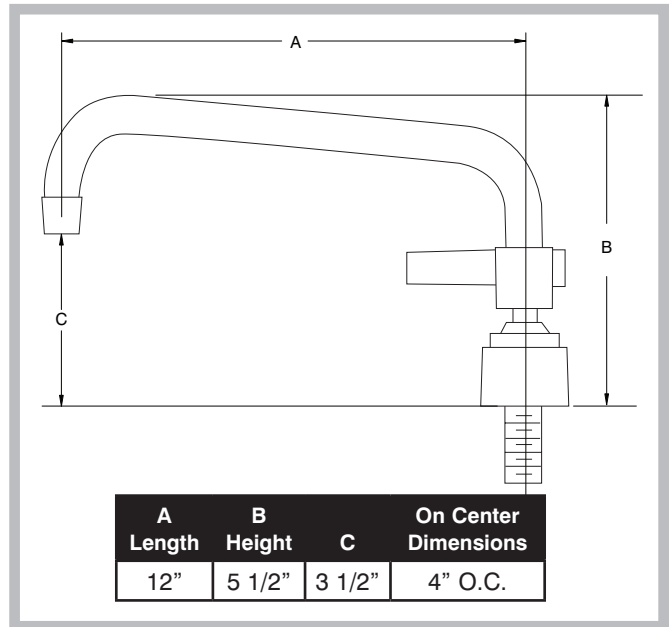
Wrist Handles*

K-316-LU (Set of 2)



*Can Only Be Used On Faucets Purchased After January 2016.
For Older Faucets, Consult Customer Service.

DIMENSIONS and SPECIFICATIONS



WARNING:

Faucet(s) on this page may expose you to chemicals, including lead, that are known to the State of California to cause cancer or birth defects or other reproductive harm. For more info., visit www.p65warnings.ca.gov.



Customer Service Available To Assist You **1-800-645-3166** 8:30 am - 7:00 pm E.S.T.

For Orders & Customer Service:

Email: customer@advancetabco.com or Fax: 631-242-6900

For Smart Fabrication™ Quotes:

Email: smartfab@advancetabco.com or Fax: 631-586-2933