



# K-115 PRERINSE DECK MOUNT FAUCET

Conforms To NSF 61/9 Lead Free Requirements

Item #: \_\_\_\_\_ Qty #: \_\_\_\_\_  
 Model #: \_\_\_\_\_  
 Project #: \_\_\_\_\_

**⚠ WARNING:**  
 Faucet(s) on this page may expose you to chemicals, including lead, that are known to the State of California to cause cancer or birth defects or other reproductive harm. For more Info., visit [www.p65warnings.ca.gov](http://www.p65warnings.ca.gov).

### FEATURES:

- Single hole deck mount mixing faucet.
- 18" flexible stainless steel hose with heat resistant handle.
- 1.42 GPM spray valve.
- Spray valve holder and overhead spring.
- Quarter-turn lever handles w/ color coded indexes.

### MATERIAL:

- Polished chrome plated brass body, riser & spray valve body.
- Stainless steel hose and chrome plated metal handles.



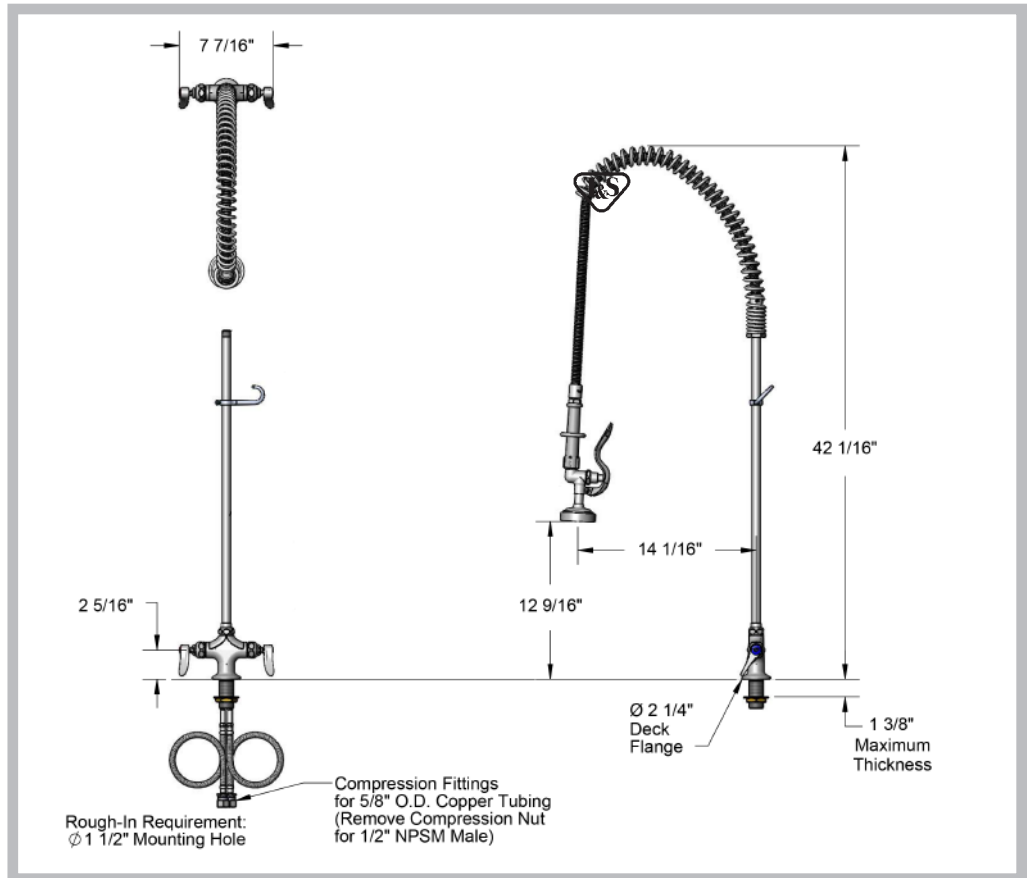
### K-115 Replacement Parts & Options

**Replacement Hose**  
 Handle Not Included  
**K-113**

**12" Add-A-Faucet For Prerinse Faucets**  
**K-117-TS**

**Replacement Spray Head & Handle**  
**K-114**

## DIMENSIONS and SPECIFICATIONS



**Click This Link To View Assembly Sheet**

**Customer Service Available To Assist You 1-800-645-3166 8:30 am - 7:00 pm E.S.T.**

For Orders & Customer Service:  
 Email: [customer@advancetabco.com](mailto:customer@advancetabco.com) or Fax: 631-242-6900

For Smart Fabrication™ Quotes:  
 Email: [smartfab@advancetabco.com](mailto:smartfab@advancetabco.com) or Fax: 631-586-2933